

# STOCK CATALOG

---

OCTOBER 14, 2021



A Division of SMP Industries, Inc.  
PO BOX 22067, Chattanooga, TN 37422

03

## FRAMES

70" HIGH SERIES FRAMES (70-24M / 70-36M)  
 54" HIGH SERIES FRAMES (54-18M / 54-24M)  
 54" HIGH SERIES FRAMES (54-36M / 54-48)

06

## FRAME ACCESSORIES

FRAME END ANGLE LEGS (EL-70M / EL-54M) / FRAME JOINING PLATE  
 FRAME FEET

08

## ENDCAPS

EC90 / EC90 FRONT  
 EC90 WINGS / EC90 SIDE BASKET  
 3 SIDED GRID DISPLAYS

11

## GONDOLA SHELVING

FS SHELVING (FS-1218 / FS-1224 / FS-1236)  
 FS SHELVING (FS-1248 / FS-1924)  
 FS SHELVING (FS-1936 / FS-1948)  
 WS SHELVING / WS SHELVING ARMS (WA-19 / WA-24)

15

## END GATE SHELVING

EA SHELVING (EA-1218 / EA-1224 / EA-1236)  
 EA SHELVING (EA-1248 / EA-1924)  
 EA SHELVING (EA-1936 / EA-1948)

18

## SHELF ACCESSORIES

DOUBLE SLOTTED UPRIGHTS (44" / 60" / 70")  
 BRACKET CLAMP / EXTRUDED PRICE MOLD (24")  
 EXTRUDED PRICE MOLDS (36" / 48")

21

## TIERED SHELVES

22

## DIP SHELVES

SBD - 6 DIP SHELF / IN-LINE DIP SHELF (1224-DS)  
 IN-LINE DIP SHELVES (1248-DS / 1924-DS / 1948-DS)

24

## TUBULAR DISPLAYS

7 SHELF DISPLAY (X197-24)  
 7 SHELF DISPLAY (X197-36)

7 SHELF DISPLAY (X197-48)  
 5 SHELF DISPLAY (R195-24)  
 5 SHELF DISPLAY (R195-36)  
 5 SHELF DISPLAY (R195-48)  
 TUBULAR COLLAPSIBLE HUTCH

31

## TUBULAR DISPLAY ACCESSORIES

32

## WIRE DISPLAYS

5 SHELF DISPLAY (L125-24)  
 5 SHELF DISPLAY (R125-24)  
 5 SHELF DISPLAY (R155-24)  
 5 SHELF DISPLAY (R155-36)

36

## QUICKLOAD DISPLAYS

37

## MASS MERCHANDISER DISPLAYS

MASS MERCH SHELF / 31" MASS MERCH DISPLAY  
 46" MASS MERCH DISPLAY / 57" MASS MERCH DISPLAY

39

## CLIP STRIPS AND CLIP RACKS

HANGING CLIP RACKS (CRH-12 / CRHS-12 / CRH-24)  
 HANGING CLIP RACK (CRH-36) / SUCTION CUP CLIP / COUNTER CLIP RACK (CRC-24)  
 COUNTER CLIP RACK (CRC-36) / REVOLVING CLIP TREE (RSR-460 / RSR-690)

42

## HAND TRUCK AND ACCESSORY

43

## CUSTOM ORDER FORM

44

## GENERAL TERMS AND CONDITIONS

45

## CUSTOM ORDER TERMS AND CONDITIONS

46

## PURCHASE VOLUME REBATE PROGRAM

47

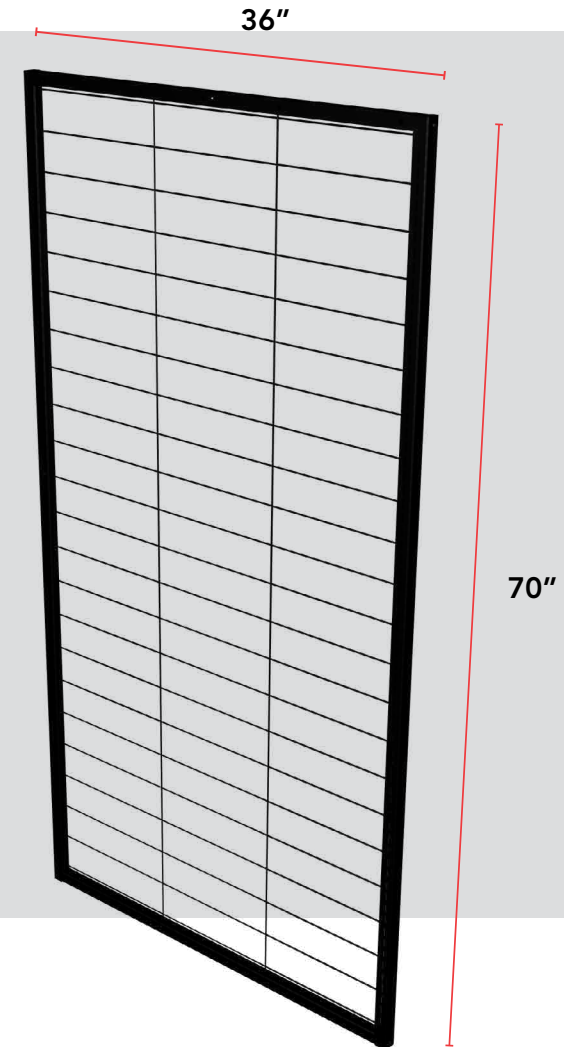
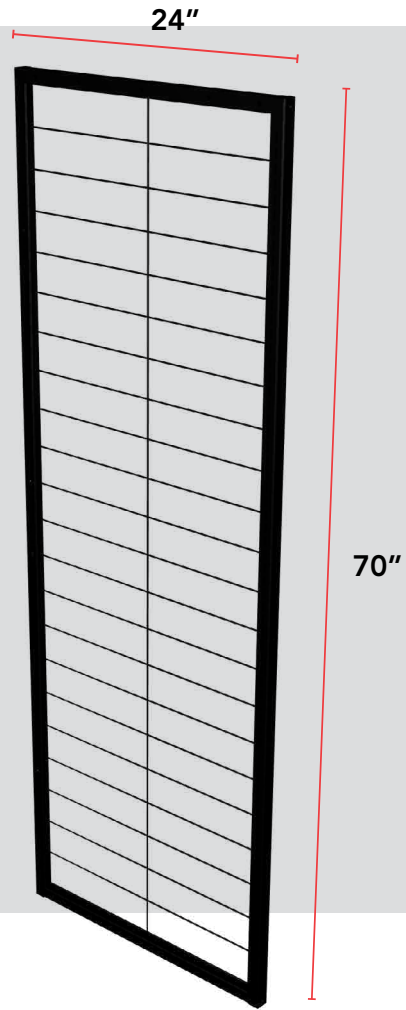
## NOTES

### INTERACTIVE PDF INSTRUCTIONS:

+ CLICK ON ANY ITEM IN THE INDEX TO JUMP TO THAT PAGE

CLICK HERE TO VIEW  
 HI-RES VERSION



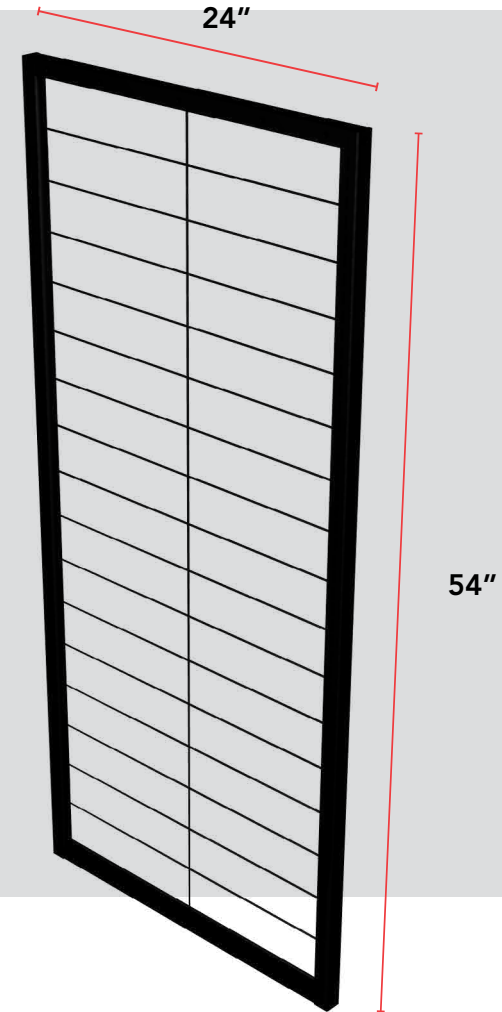
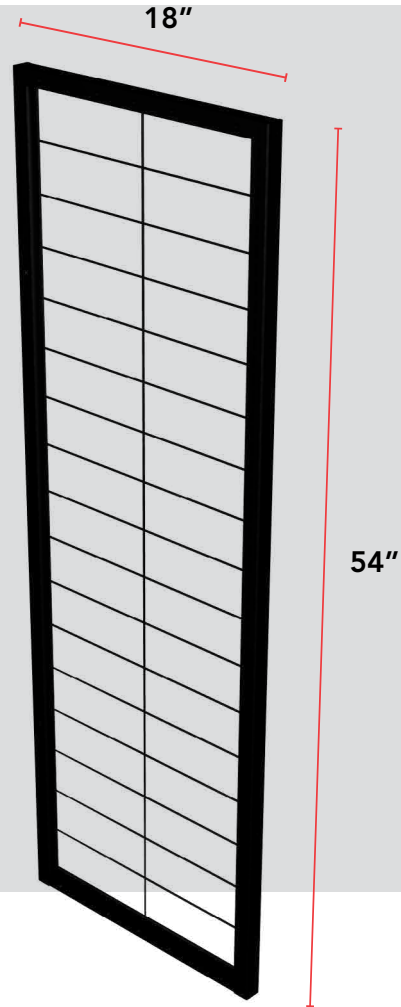


[INDEX](#)

70" HIGH SERIES FRAMES		BUY NOW	
Model #:	<b>70-24M</b>	Finish:	<b>Black ■</b>
Description:	70"(H) x 24"(W) x 1"(D)	Item #:	<b>16905</b>
<b>NOTE:</b> EL-70 legs required for most installations. Order separately. (See page 6 for frame accessories)	Pack:	<b>1 (2 per)</b>	
	Weight:	<b>31 lbs</b>	
	Unit Price:	<b>\$149.00</b>	

70" HIGH SERIES FRAMES		INQUIRE HERE	
Model #:	<b>70-36M</b>	Finish:	<b>Black ■</b>
Description:	70"(H) x 36"(W) x 1"(D)	Item #:	<b>14532</b>
<b>NOTE:</b> EL-70 legs required for most installations. Order separately. (See page 6 for frame accessories)	Pack:	<b>1 (2 per)</b>	
	Weight:	<b>40 lbs</b>	
	Unit Price:	<b>MTO</b>	





## 54" HIGH SERIES FRAMES

**BUY NOW**

Model #:	<b>54-18M</b>	Finish:	<b>Black ■</b>
Description:	54"(H) x 18"(W) x 1"(D)	Item #:	<b>16906</b>
UPS Shippable	<b>NOTE:</b> EL-54 legs or Frame Feet required for most installations. Order separately. (See pages 6 + 7 for frame accessories)	Pack:	<b>1 (2 per)</b>
		Weight:	<b>22 lbs</b>
		Unit Price:	<b>\$79.52</b>

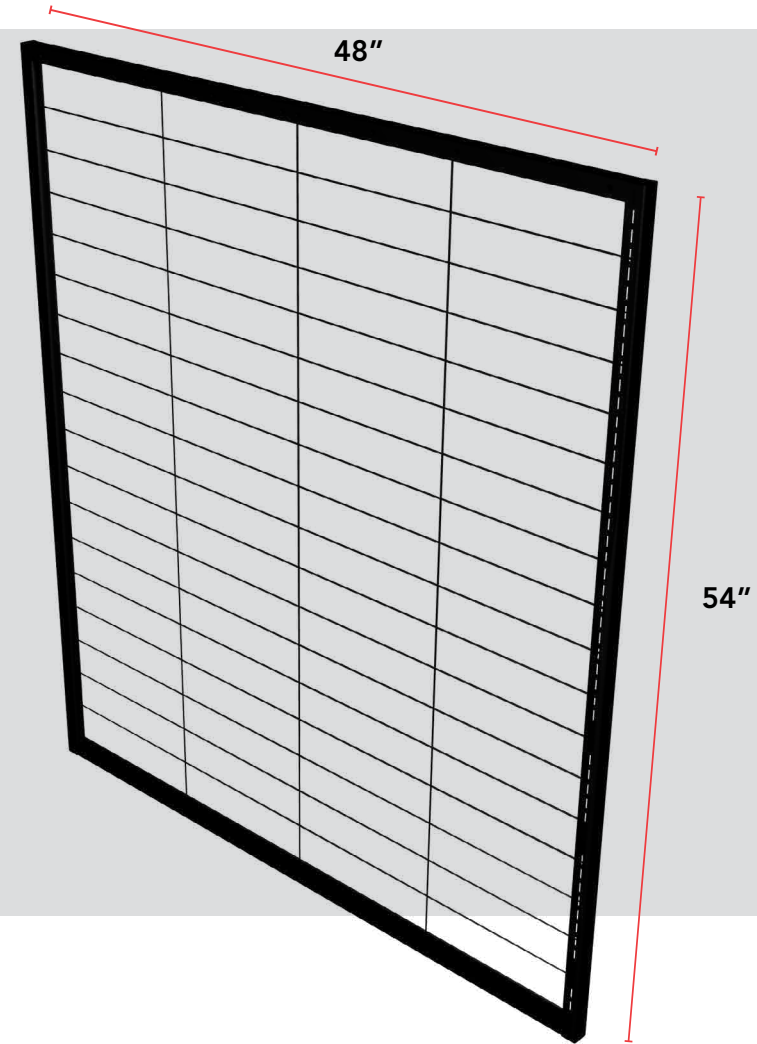
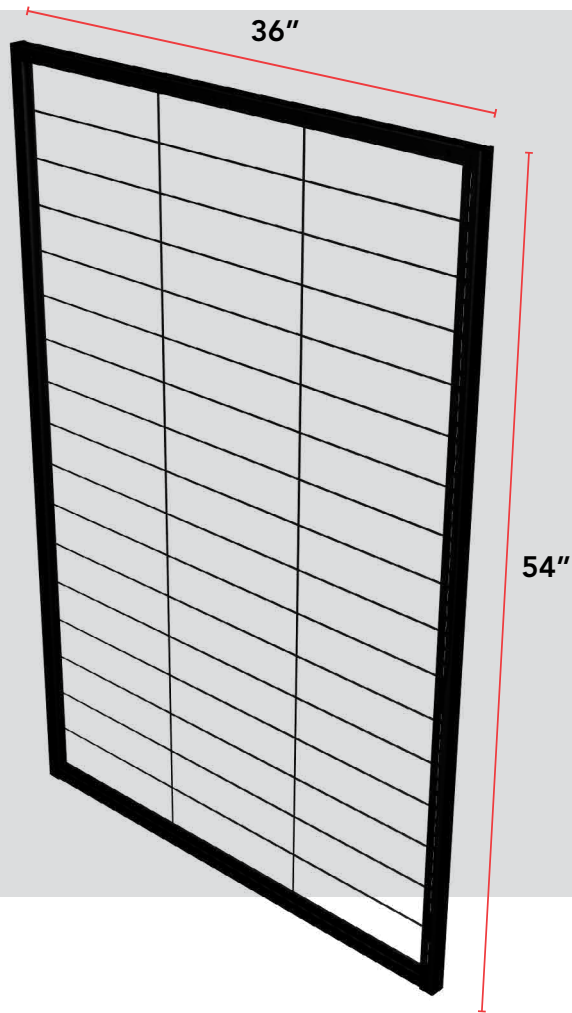
## 54" HIGH SERIES FRAMES

**BUY NOW**

Model #:	<b>54-24M</b>	Finish:	<b>Black ■</b>
Description:	54"(H) x 24"(W) x 1"(D)	Item #:	<b>14260</b>
UPS Shippable	<b>NOTE:</b> EL-54 legs or Frame Feet required for most installations. Order separately. (See pages 6 + 7 for frame accessories)	Pack:	<b>1 (2 per)</b>
		Weight:	<b>26 lbs</b>
		Unit Price:	<b>\$81.08</b>







INDEX

**54" HIGH SERIES FRAMES**

**BUY NOW**

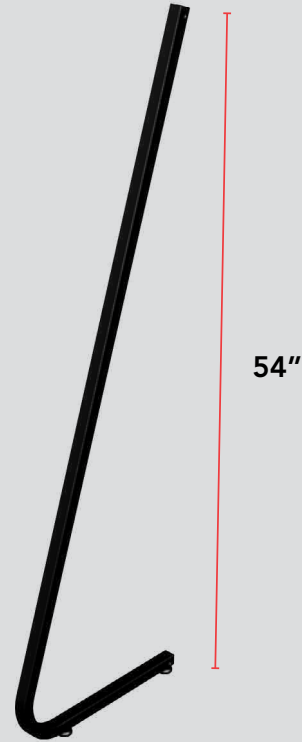
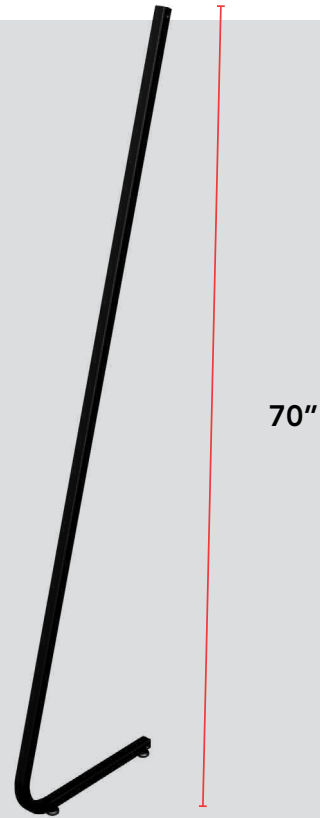
Model #:	<b>54-36M</b>	Finish:	<b>Black ■</b>
Description:	54"(H) x 36"(W) x 1"(D)	Item #:	<b>14083</b>
<b>NOTE:</b> EL-54 legs or Frame Feet required for most installations. Order separately. (See page 6 +7 for frame accessories)	Pack:	<b>1 (2 per)</b>	
	Weight:	<b>32 lbs</b>	
	Unit Price:	<b>\$85.92</b>	

**70" HIGH SERIES FRAMES**

**BUY NOW**

Model #:	<b>54-48M</b>	Finish:	<b>Black ■</b>
Description:	54"(H) x 48"(W) x 1"(D)	Item #:	<b>14406</b>
<b>NOTE:</b> EL-54 legs or Frame Feet required for most installations. Order separately. (See page 6 +7 for frame accessories)	Pack:	<b>1 (2 per)</b>	
	Weight:	<b>38 lbs</b>	
	Unit Price:	<b>\$102.57</b>	





**INQUIRE HERE**

## FRAME END ANGLE LEGS

Model #:	<b>EL-70M</b>
Description:	70" Frame Leg
Finish:	<b>Black</b> ■
Item #:	<b>14261</b>
Pack:	<b>1 (4 per)</b>
Weight:	<b>25 lbs</b>
Unit Price:	<b>MTO</b>
<b>UPS Shippable</b>	

**BUY NOW**

## FRAME END ANGLE LEGS

Model #:	<b>EL-54M</b>
Description:	54" Frame Leg
Finish:	<b>Black</b> ■
Item #:	<b>14264</b>
Pack:	<b>1 (4 per)</b>
Weight:	<b>20 lbs</b>
Unit Price:	<b>\$74.00</b>
<b>UPS Shippable</b>	

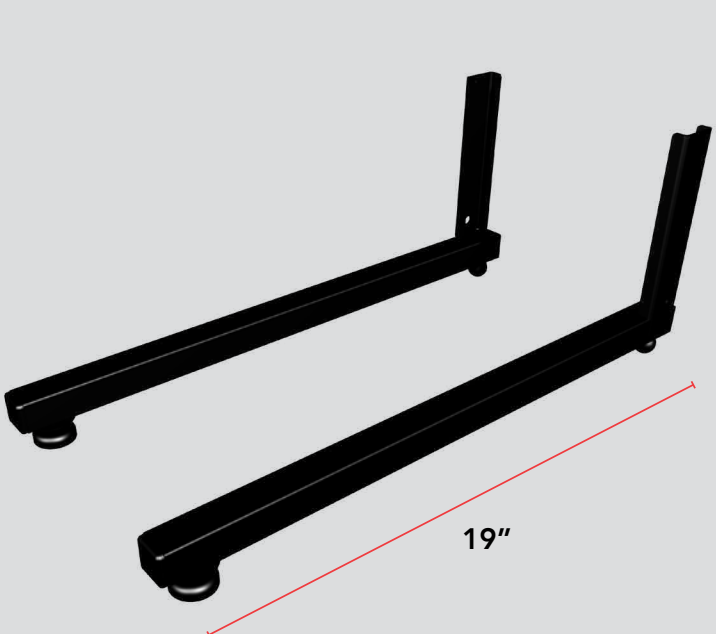
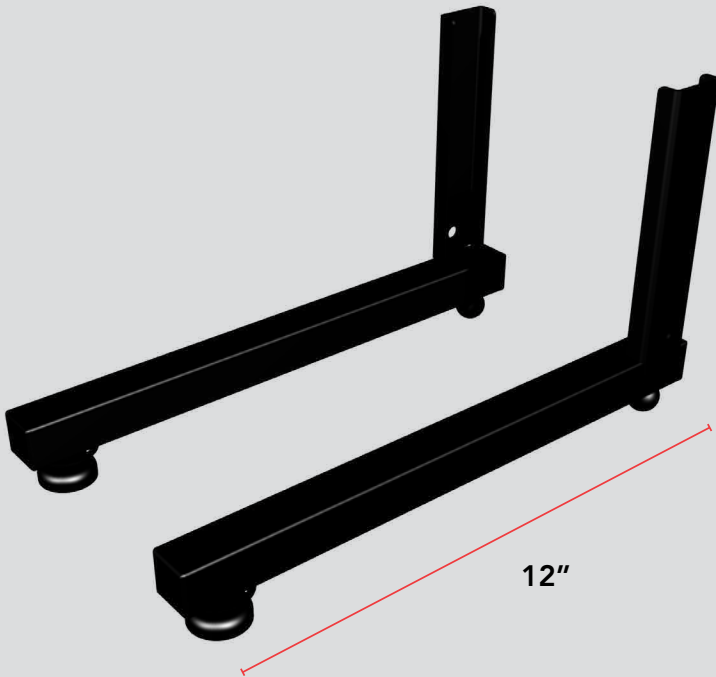
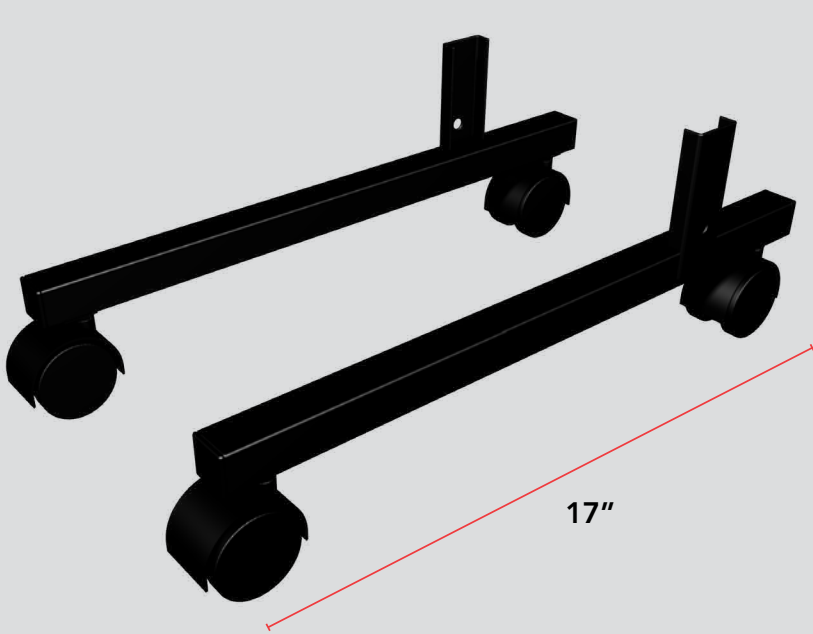
**BUY NOW**

## FRAME JOINING PLATES

Model #:	<b>JP-6</b>
Description:	Joining Plate for Series Frames
Finish:	<b>Black</b> ■
Item #:	<b>14438</b>
Pack:	<b>1 (6 per)</b>
Weight:	<b>3 lbs</b>
Unit Price:	<b>\$19.95</b>
<b>UPS Shippable</b>	



INDEX



BUY NOW

FRAME FEET	
Model #:	<b>CF-17M</b>
Description:	17" Caster Foot
Finish:	<b>Black</b> ■
Item #:	<b>14424</b>
Pack:	<b>1 (2 pair per)</b>
Weight:	<b>8 lbs</b>
Unit Price:	<b>\$40.37</b>
<b>UPS Shippable</b>	<b>NOTE: (4) Plastic twin wheel casters, 2" diameter</b>

BUY NOW

FRAME FEET	
Model #:	<b>F-12B</b>
Description:	12" Foot
Finish:	<b>Black</b> ■
Item #:	<b>14801</b>
Pack:	<b>1 (2 pair per)</b>
Weight:	<b>6 lbs</b>
Unit Price:	<b>\$19.24</b>
<b>UPS Shippable</b>	

BUY NOW

FRAME FEET	
Model #:	<b>F-19M</b>
Description:	19" Foot
Finish:	<b>Black</b> ■
Item #:	<b>14430</b>
Pack:	<b>1 (2 pair per)</b>
Weight:	<b>8 lbs</b>
Unit Price:	<b>\$28.84</b>
<b>UPS Shippable</b>	



### ADDITIONAL INFORMATION:

Unit comes complete with the header panel holders and caster base.

Header panel holders allow for die cut graphic header panels. Customized headers are available. Call for quote.

Shelves are adjustable on 2" centers.

Lower volume stores can use just the front section.

Optional side baskets merchandise on sides of display - no additional grid required.

**Must purchase separately.**

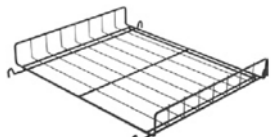
**DOES NOT COME WITH DISPLAY.**

### SHELVES INCLUDED:



(5) Front Shelves Included.

Dims: 2"H x 48"W x 19"D



(10) Side Shelves Included.

Dims: 2"H x 16"W x 19"D



INDEX

## EC90 - 5241

[INQUIRE HERE](#)

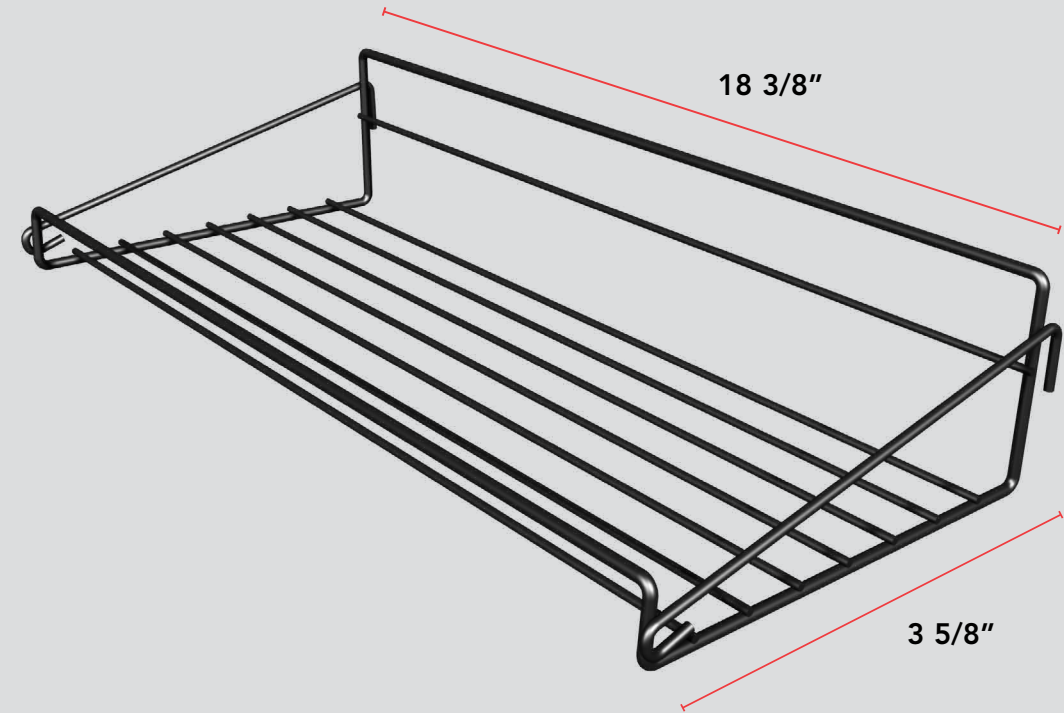
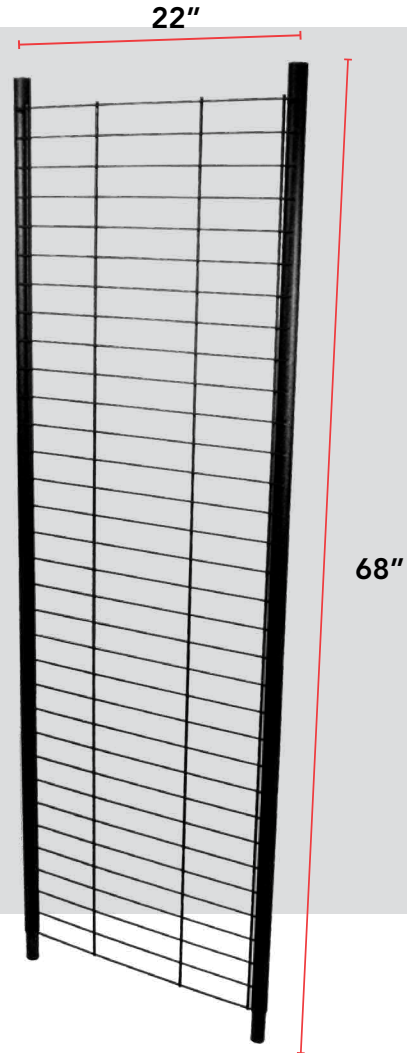
Model #:	<b>EC90-5241</b>	Finish:	<b>Black</b> ■
Description:	92"(H) x 52"(W) x 42"(D)	Item #:	<b>15065</b>
<b>NOTE:</b> See details beside display for additional product information.	Pack:	<b>1 (6 ctns)</b>	
	Weight:	<b>241 lbs</b>	
	Unit Price:	<b>\$463.17</b>	

## EC90 FRONT

[INQUIRE HERE](#)

Model #:	<b>EC90 Front</b>	Finish:	<b>Black</b> ■
Description:	92"(H) x 52"(W) x 22"(D)	Item #:	<b>15066</b>
<b>NOTE:</b> Graphic panel and side baskets not included.	Pack:	<b>1 (3 ctns)</b>	
	Weight:	<b>144 lbs</b>	
	Unit Price:	<b>\$276.56</b>	





## EC90 WINGS

[INQUIRE HERE](#)

Model #:	<b>EC90 Wings</b>	Finish:	<b>Black</b> ■
Description:	68" (H) x 22" (W)	Item #:	<b>15067</b>
Pack:	<b>1 (3 ctns)</b>	Weight:	<b>88 lbs</b>
Unit Price:	<b>MTO</b>		

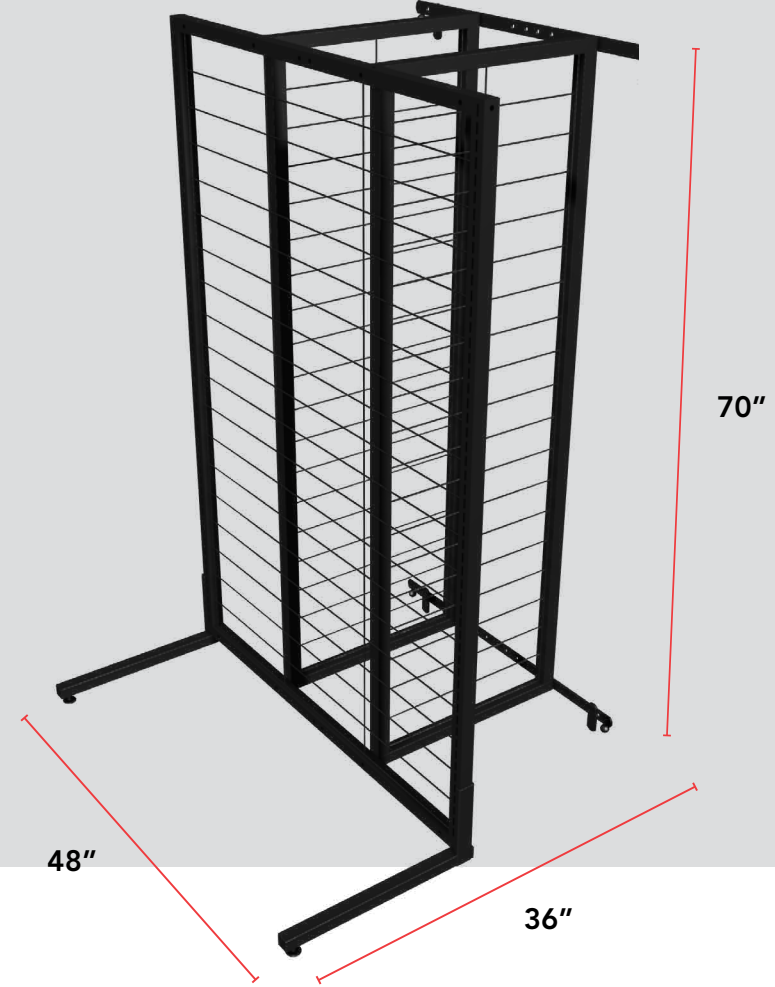
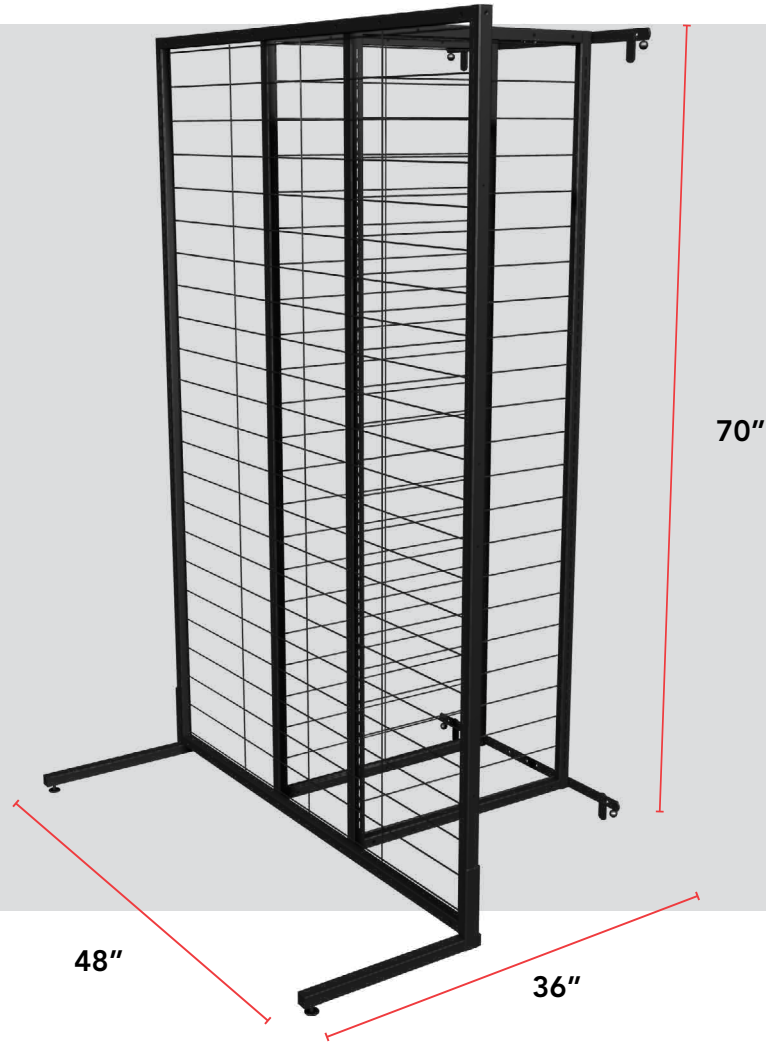
## EC90 SIDE BASKET

[BUY NOW](#)

Model #:	<b>EC90-5241SB</b>	Finish:	<b>Black</b> ■
Description:	18-3/8" (W) x 3-5/8" (D)	Item #:	<b>14382</b>
Pack:	<b>1 (12 per)</b>	Weight:	<b>16 lbs</b>
Unit Price:	<b>\$63.45</b>	<b>UPS Shippable</b>	







**3-SIDED GRID DISPLAY**

[INQUIRE HERE](#)

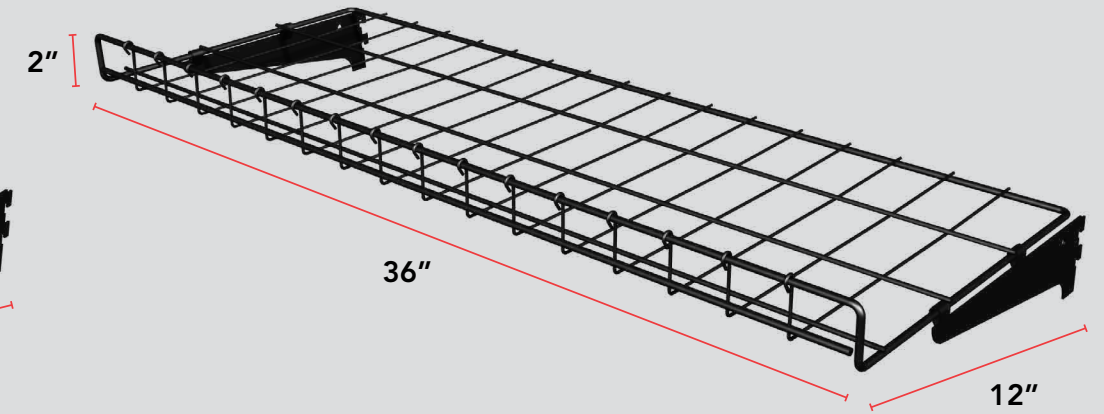
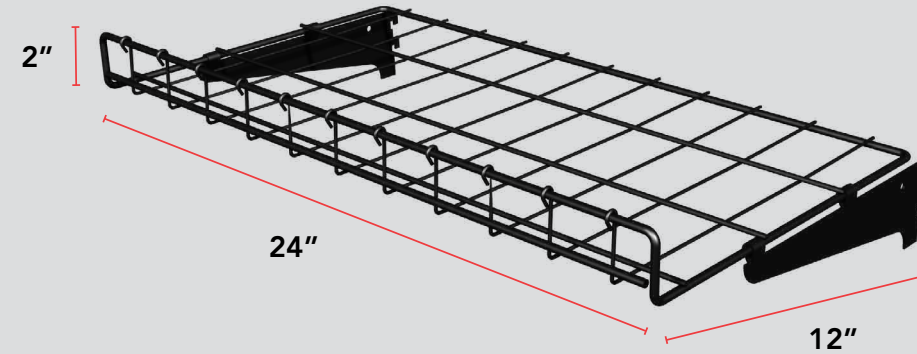
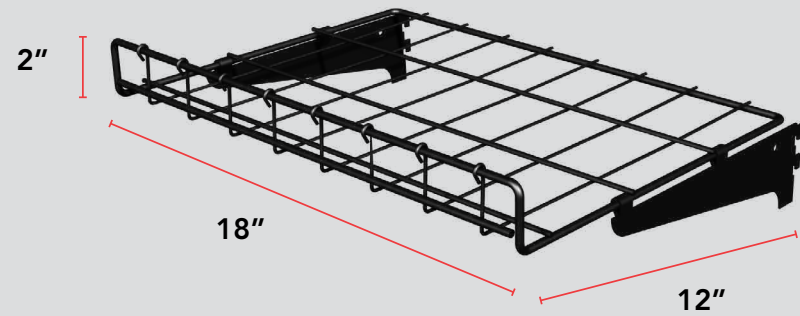
Model #:	<b>4824-70-12M</b>	Finish:	<b>Black</b> ■
Description:	70"(H) x 48"(W) x 36"(D)	Item #:	<b>14750</b>
<b>NOTE:</b> Depth consists of 24" wings and 12" feet.	Pack:	<b>1</b>	
	Weight:	<b>65 lbs</b>	
	Unit Price:	<b>MTO</b>	

**3-SIDED GRID DISPLAY**

[INQUIRE HERE](#)

Model #:	<b>5436-18-12M</b>	Finish:	<b>Black</b> ■
Description:	54"(H) x 36"(W) x 30"(D)	Item #:	<b>14774</b>
<b>NOTE:</b> Depth consists of 18" wings and 12" feet.	Pack:	<b>1</b>	
	Weight:	<b>31 lbs</b>	
	Unit Price:	<b>MTO</b>	





**INQUIRE HERE**

FS SHELVING	
Model #:	<b>FS-1218</b>
Description:	2"(H) x 18"(W) X 12"(D)"
Finish:	<b>Black</b> ■
Item #:	<b>14432</b>
Pack:	<b>1 (5 per)</b>
Weight:	<b>12 lbs</b>
Unit Price:	<b>MTO</b>
<b>UPS Shippable</b>	

**BUY NOW**

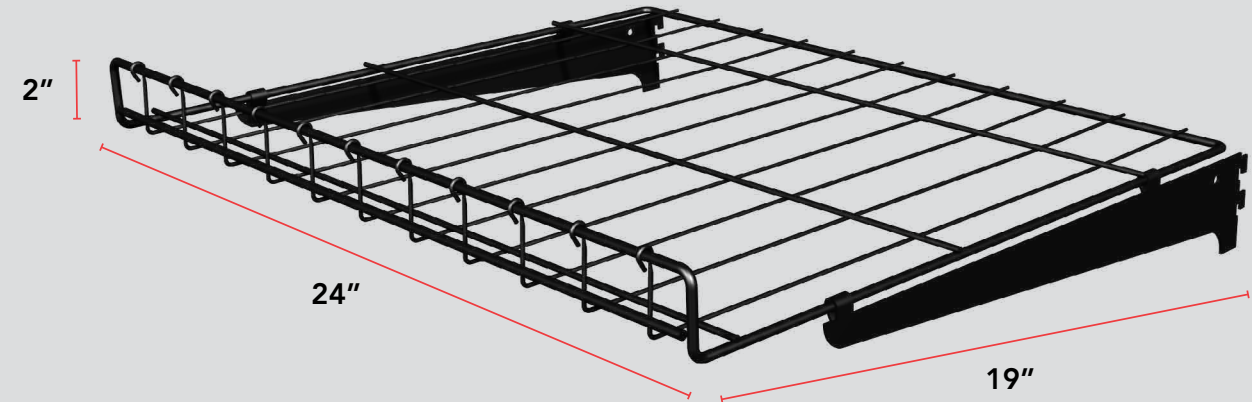
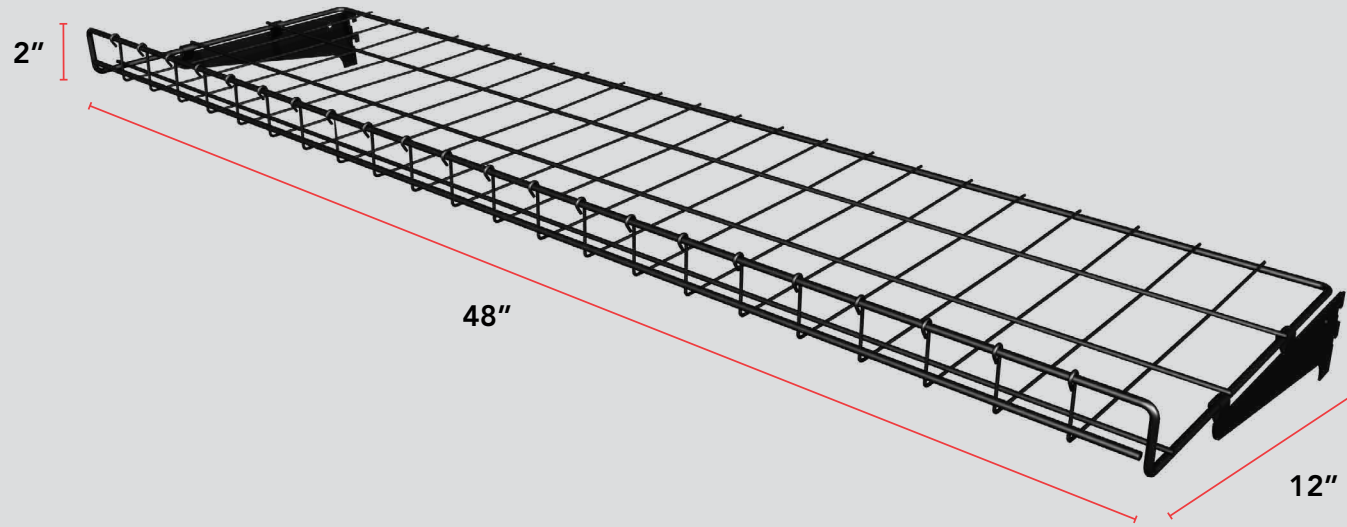
FS SHELVING		
Model #:	<b>FS-1224</b>	
Description:	2"(H) x 24"(W) X 12"(D)	
Finish:	Chrome ■	<b>Black</b> ■
Item #:	16035	<b>16034</b>
Pack:	1 (5 per)	<b>1 (5 per)</b>
Weight:	16 lbs	<b>16 lbs</b>
Unit Price:	MTO	<b>\$32.70</b>
<b>UPS Shippable</b>		

**BUY NOW**

FS SHELVING		
Model #:	<b>FS-1236*(BK)*</b>	
Description:	2"(H) x 36"(W) X 12"(D)	
Finish:	Chrome ■	<b>Black</b> ■
Item #:	16037	<b>16036</b>
Pack:	1 (5 per)	<b>1 (5 per)</b>
Weight:	21 lbs	<b>21 lbs</b>
Unit Price:	\$50.12	<b>\$47.63</b>
<b>UPS Shippable</b>		



[INDEX](#)



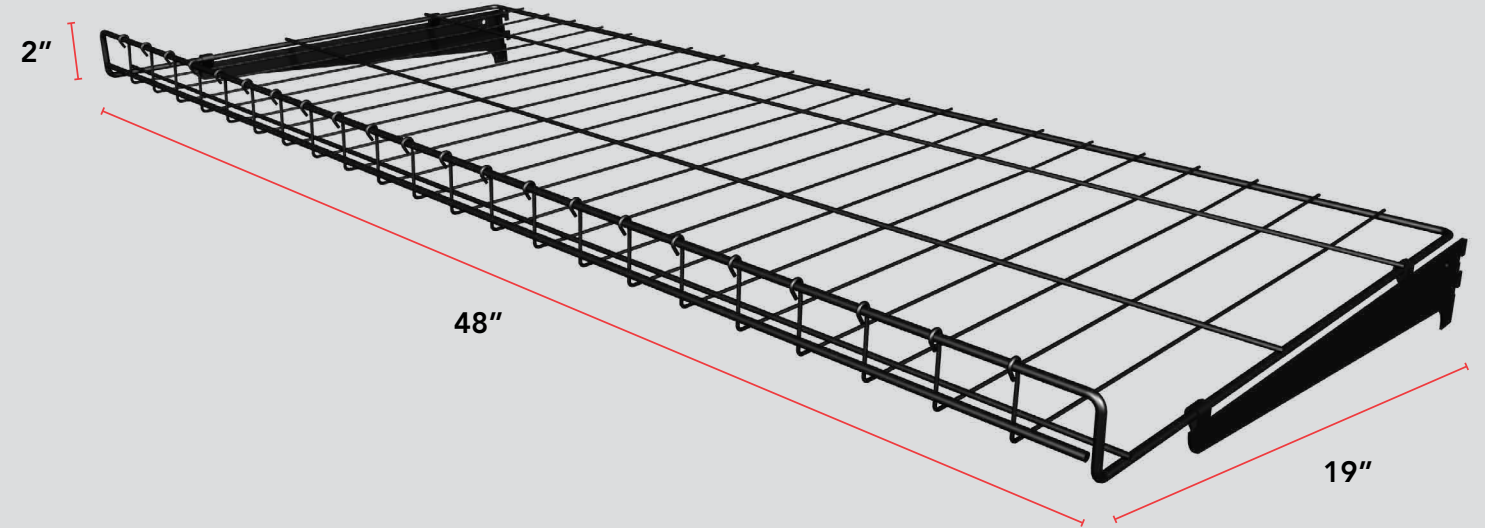
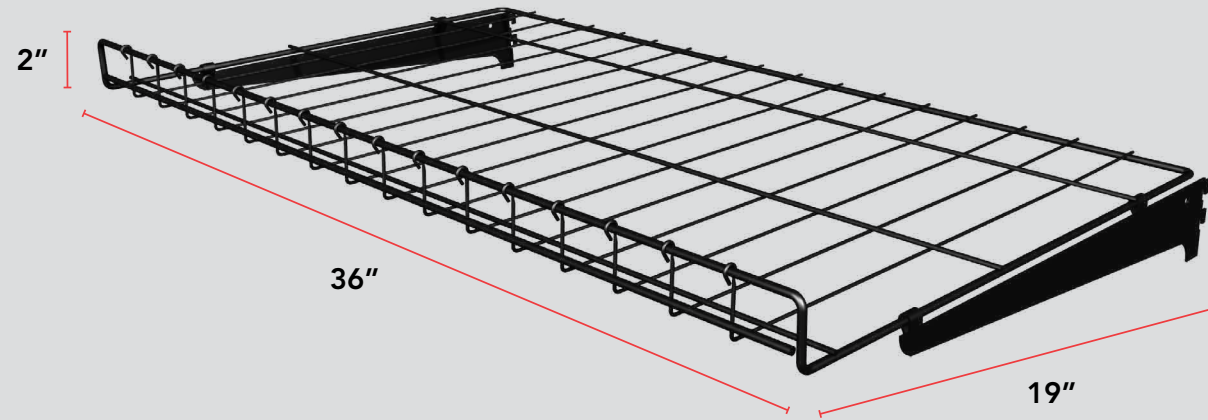
FS SHELVING		BUY NOW		
Model #:	<b>FS-1248</b>	Finish:	Chrome <input type="checkbox"/>	<b>Black <input checked="" type="checkbox"/></b>
Description:	2"(H) x 48"(W) x 12"(D)	Item #:	16039	<b>16038</b>
UPS Shippable		Pack:	1 (5 per)	<b>1 (5 per)</b>
		Weight:	28 lbs	<b>28 lbs</b>
		Unit Price:	\$63.53	<b>\$56.80</b>

FS SHELVING		BUY NOW		
Model #:	<b>FS-1924</b>	Finish:	Chrome <input type="checkbox"/>	<b>Black <input checked="" type="checkbox"/></b>
Description:	2"(H) x 24"(W) x 19"(D)	Item #:	14044	<b>14440</b>
UPS Shippable		Pack:	1 (5 per)	<b>1 (5 per)</b>
		Weight:	21 lbs	<b>21 lbs</b>
		Unit Price:	\$53.37	<b>\$47.47</b>





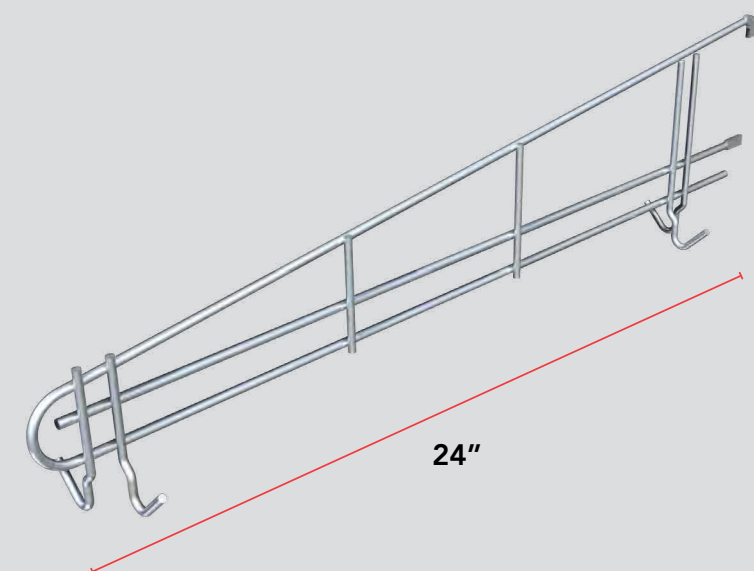
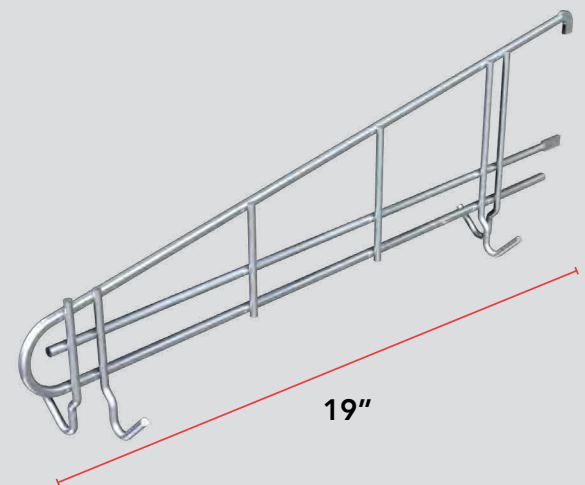
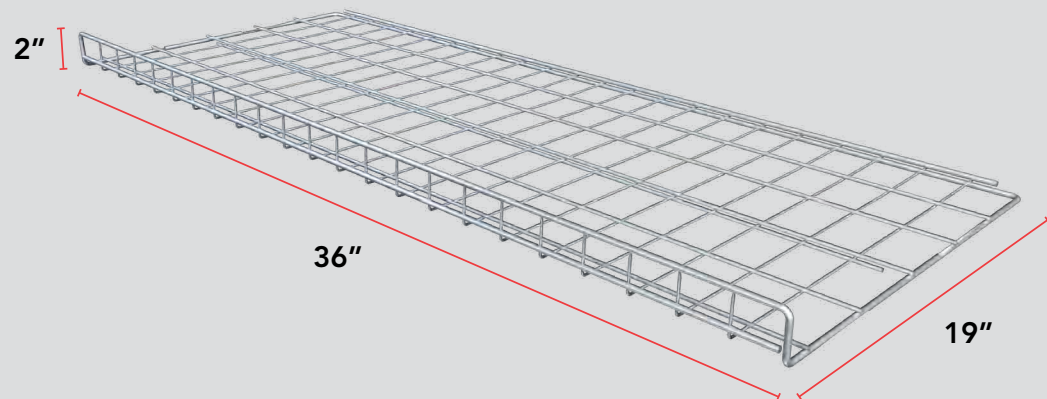
[INDEX](#)



FS SHELVING		BUY NOW		
Model #:	<b>FS-1936</b>	Finish:	Chrome <input type="checkbox"/>	<b>Black <input checked="" type="checkbox"/></b>
Description:	2"(H) x 36"(W) x 19"(D)	Item #:	10419	<b>14274</b>
UPS Shippable		Pack:	1 (5 per)	<b>1 (5 per)</b>
		Weight:	31 lbs	<b>31 lbs</b>
		Unit Price:	\$71.65	<b>\$65.18</b>

FS SHELVING		BUY NOW		
Model #:	<b>FS-1948</b>	Finish:	Chrome <input type="checkbox"/>	<b>Black <input checked="" type="checkbox"/></b>
Description:	2"(H) x 48"(W) x 19"(D)	Item #:	10420	<b>14275</b>
UPS Shippable		Pack:	1 (5 per)	<b>1 (5 per)</b>
		Weight:	40 lbs	<b>40 lbs</b>
		Unit Price:	\$87.76	<b>\$78.82</b>





[INQUIRE HERE](#)

WS SHELVING	
Model #:	<b>WS-1948</b>
Description:	48" (W) x 19" (D)
Finish:	<b>Chrome</b> ■
Item #:	<b>10440</b>
Pack:	<b>1 (8 per)</b>
Weight:	<b>53 lbs</b>
Unit Price:	<b>MTO</b>
<b>UPS Shippable</b>	

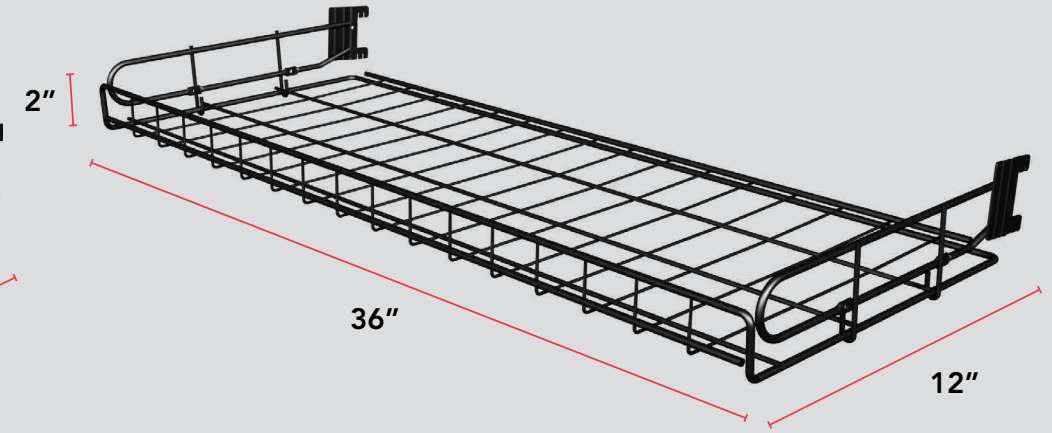
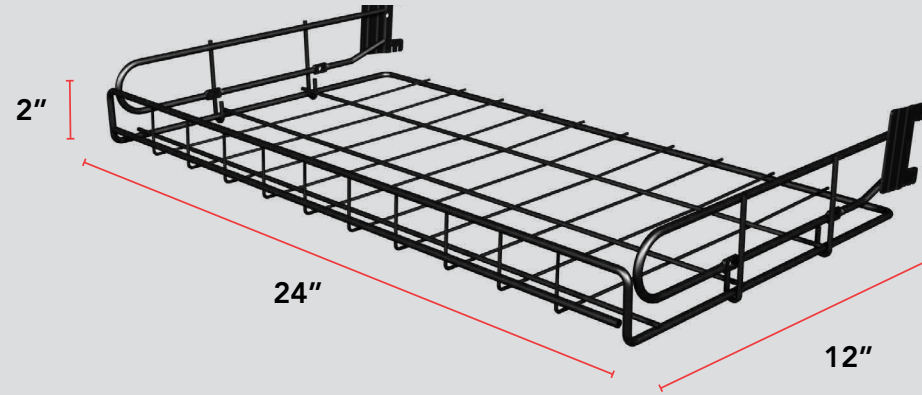
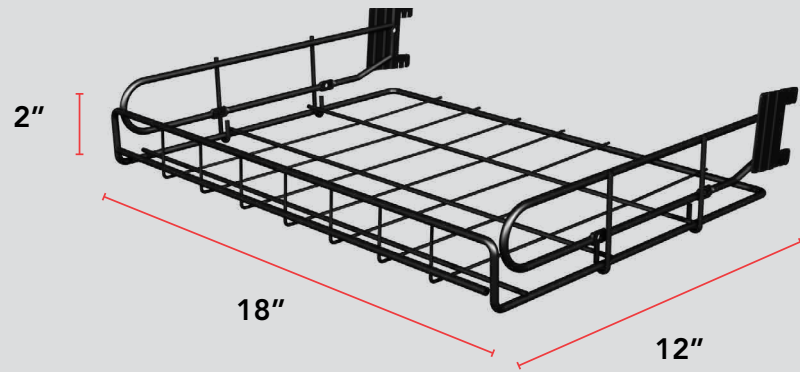
[INQUIRE HERE](#)

WS SHELVING ARMS	
Model #:	<b>WA-19</b>
Description:	19" (D)
Finish:	<b>Chrome</b> ■
Item #:	<b>10439</b>
Pack:	<b>1 (24 per)</b>
Weight:	<b>16 lbs</b>
Unit Price:	<b>MTO</b>
<b>UPS Shippable</b>	

[INQUIRE HERE](#)

WS SHELVING ARMS	
Model #:	<b>WA-24</b>
Description:	24" (D)
Finish:	<b>Chrome</b> ■
Item #:	<b>10449</b>
Pack:	<b>1 (24 per)</b>
Weight:	<b>18 lbs</b>
Unit Price:	<b>MTO</b>
<b>UPS Shippable</b>	





**BUY NOW**

EA SHELVING	
Model #:	<b>EA-1218</b>
Description:	2"(H) x 18"(W) X 12"(D)"
Finish:	<b>Black</b> ■
Item #:	<b>14433</b>
Pack:	<b>1 (5 per)</b>
Weight:	<b>14 lbs</b>
Unit Price:	<b>\$32.65</b>
<b>UPS Shippable</b>	

**INQUIRE HERE**

EA SHELVING		
Model #:	<b>EA-1224</b>	
Description:	2"(H) x 24"(W) X 12"(D)	
Finish:	Chrome ■	<b>Black</b> ■
Item #:	13440	<b>14267</b>
Pack:	1 (5 per)	<b>1 (5 per)</b>
Weight:	16 lbs	<b>16 lbs</b>
Unit Price:	MTO	<b>\$36.18</b>
<b>UPS Shippable</b>		

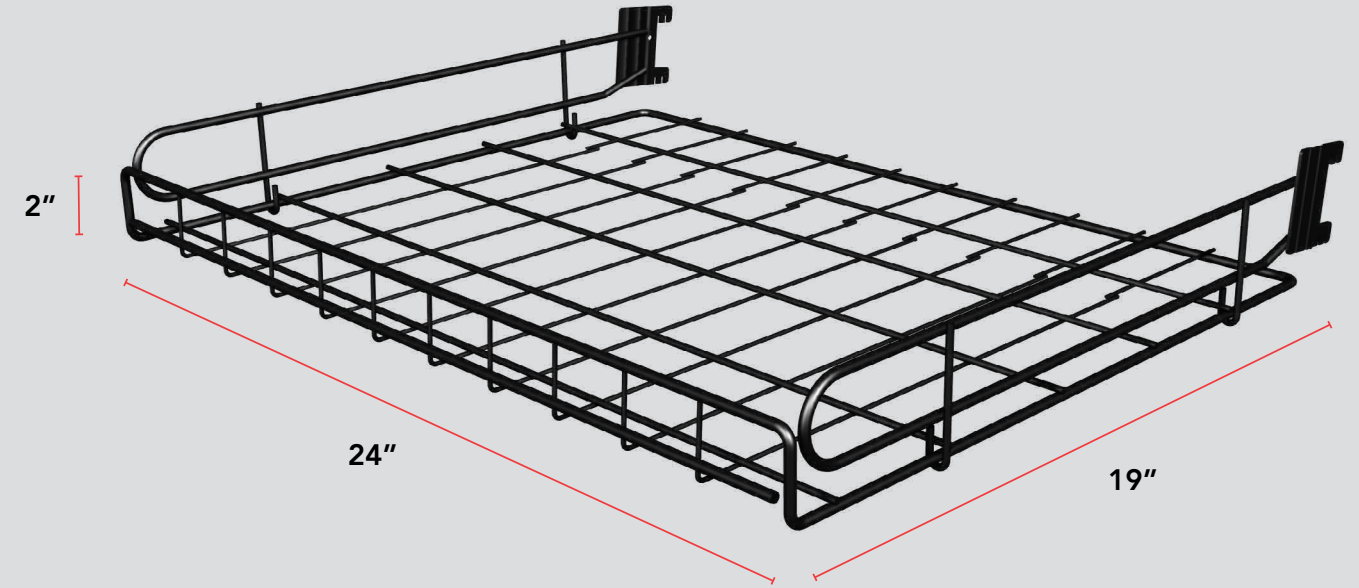
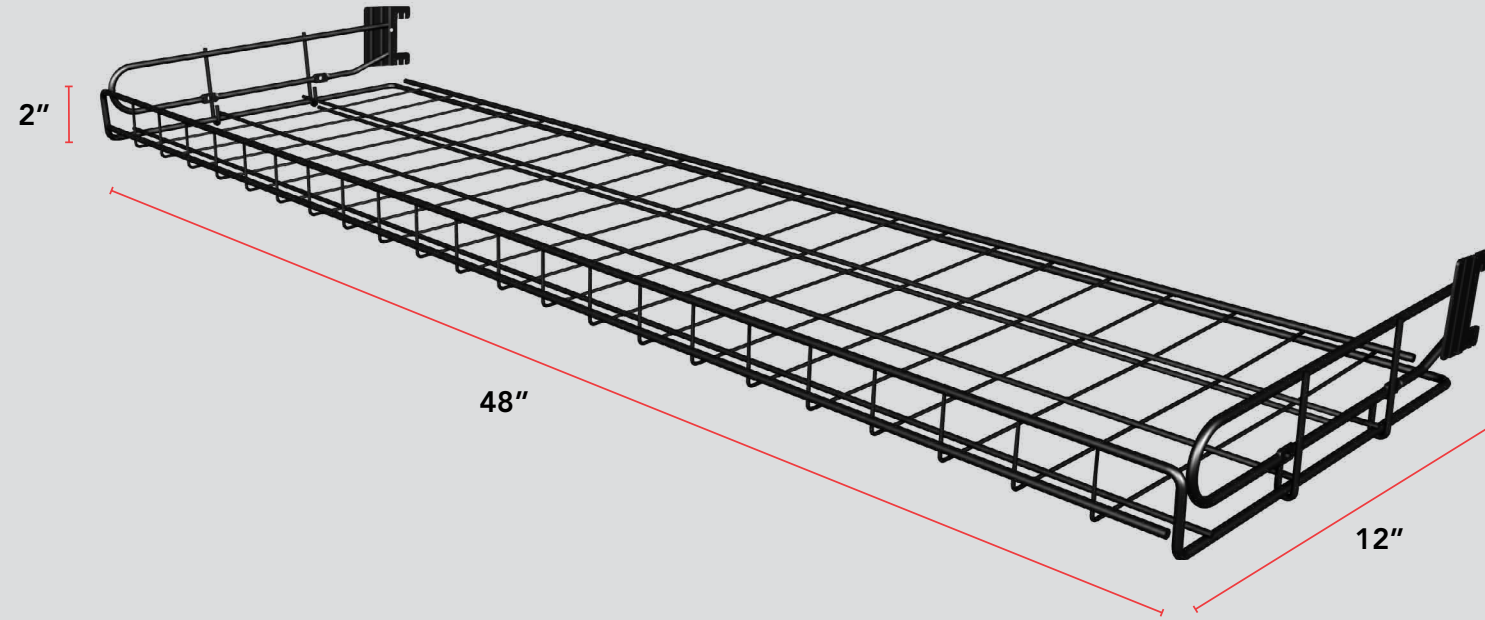
**INQUIRE HERE**

EA SHELVING		
Model #:	<b>EA-1236</b>	
Description:	2"(H) x 36"(W) X 12"(D)	
Finish:	Chrome ■	<b>Black</b> ■
Item #:	13444	<b>14268</b>
Pack:	1 (5 per)	<b>1 (5 per)</b>
Weight:	23 lbs	<b>23 lbs</b>
Unit Price:	MTO	<b>\$47.97</b>
<b>UPS Shippable</b>		

PATENTED ANGULARITY ADJUSTABLE SHELF & SUPPORT  
U.S. PATENT NO. 4,583,648



[INDEX](#)



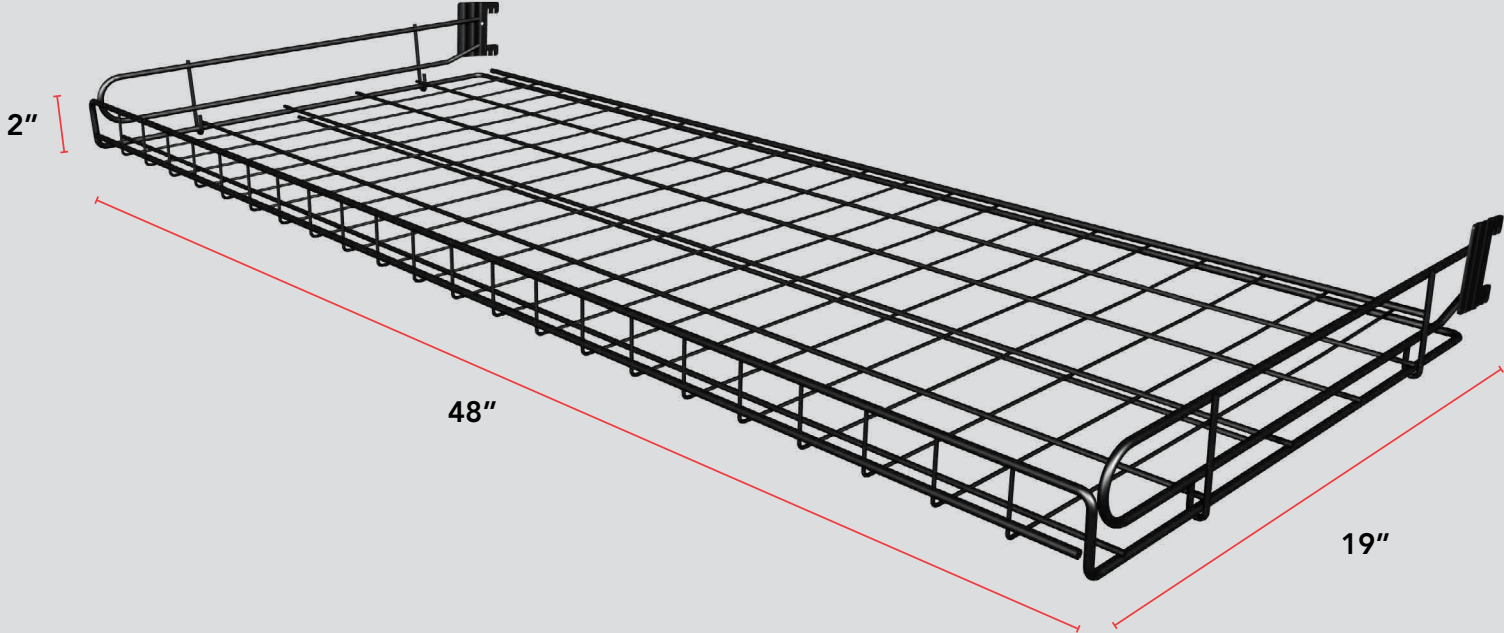
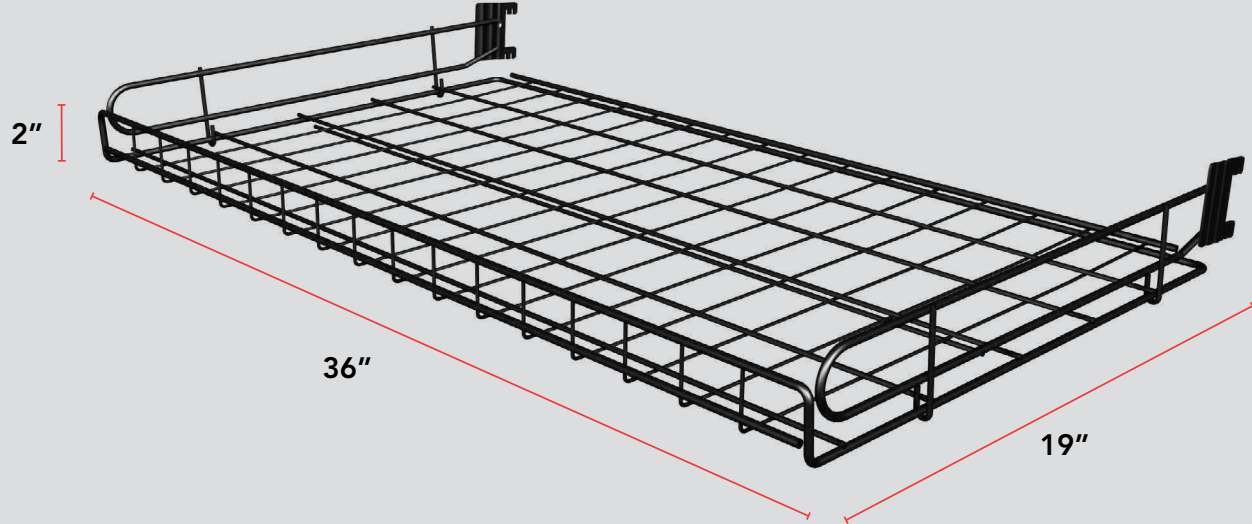
EA SHELVING		BUY NOW		
Model #:	<b>EA-1248</b>	Finish:	Chrome <input type="checkbox"/>	<b>Black</b> <input checked="" type="checkbox"/>
Description:	2"(H) x 48"(W) x 12"(D)	Item #:	13446	<b>14419</b>
UPS Shippable		Pack:	1 (5 per)	<b>1 (5 per)</b>
		Weight:	30 lbs	<b>30 lbs</b>
		Unit Price:	\$64.12	<b>\$59.72</b>

EA SHELVING		BUY NOW	
Model #:	<b>EA-1924</b>	Finish:	<b>Black</b> <input checked="" type="checkbox"/>
Description:	2"(H) x 24"(W) x 19"(D)	Item #:	<b>14269</b>
Pack:	<b>1 (5 per)</b>	Weight:	<b>23 lbs</b>
Unit Price:	<b>\$45.88</b>	<b>UPS Shippable</b>	

PATENTED ANGULARITY ADJUSTABLE SHELF & SUPPORT  
U.S. PATENT NO. 4,583,648



[INDEX](#)



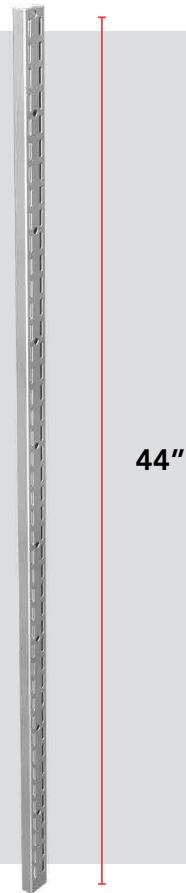
EA SHELVING		BUY NOW	
Model #:	<b>EA-1936</b>	Finish:	<b>Black</b> ■
Description:	2"(H) x 36"(W) x 19"(D)	Item #:	<b>14530</b>
Pack:	<b>1 (5 per)</b>	Weight:	<b>31 lbs</b>
Unit Price:	<b>\$61.98</b>	<b>UPS Shippable</b>	

EA SHELVING		BUY NOW	
Model #:	<b>EA-1948</b>	Finish:	<b>Black</b> ■
Description:	2"(H) x 48"(W) x 19"(D)	Item #:	<b>14270</b>
Pack:	<b>1 (5 per)</b>	Weight:	<b>41 lbs</b>
Unit Price:	<b>\$76.68</b>	<b>UPS Shippable</b>	

PATENTED ANGULARITY ADJUSTABLE SHELF & SUPPORT  
U.S. PATENT NO. 4,583,648



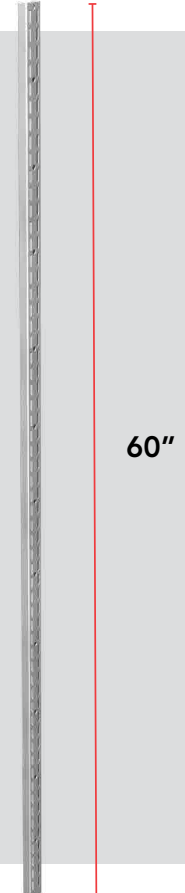




44"

**BUY NOW**

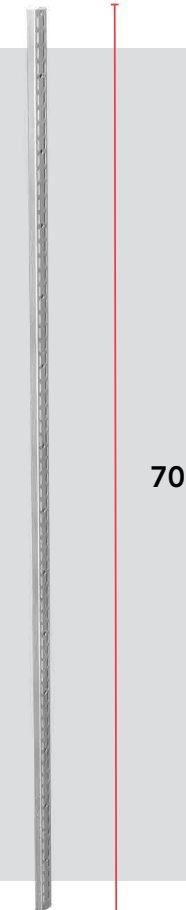
DOUBLE-SLOTTED UPRIGHTS	
Model #:	<b>UR-452</b>
Description:	44"(H)
Finish:	<b>Zinc</b> ■
Item #:	<b>16052</b>
Pack:	<b>1 (12 per)</b>
Weight:	<b>19 lbs</b>
Unit Price:	<b>\$56.05</b>
<b>UPS Shippable</b>	



60"

**BUY NOW**

DOUBLE-SLOTTED UPRIGHTS	
Model #:	<b>UR-602</b>
Description:	60"(H)
Finish:	<b>Zinc</b> ■
Item #:	<b>16075</b>
Pack:	<b>1 (12 per)</b>
Weight:	<b>26 lbs</b>
Unit Price:	<b>\$61.35</b>
<b>UPS Shippable</b>	



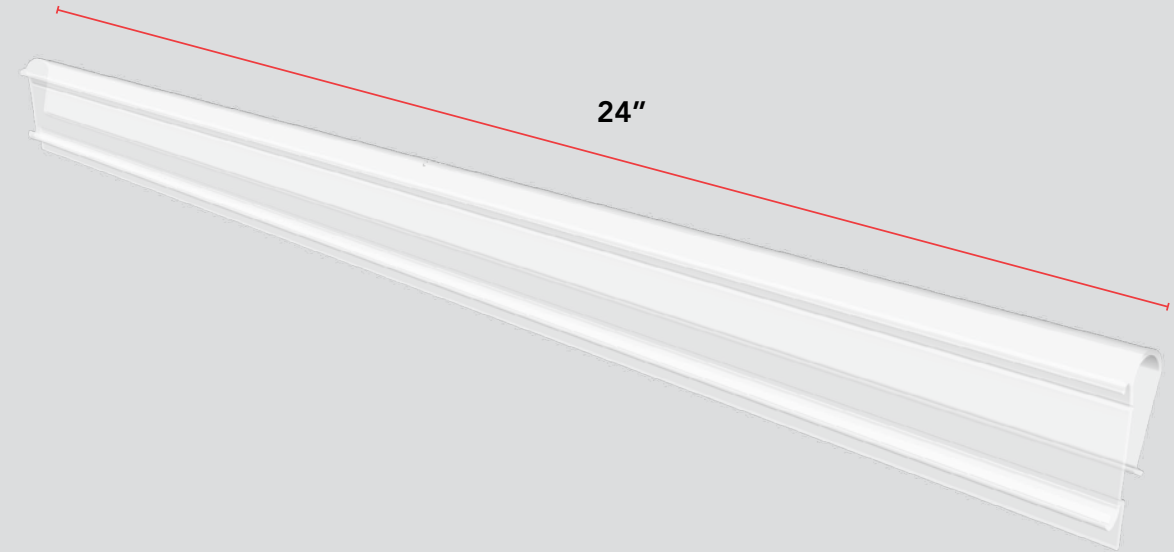
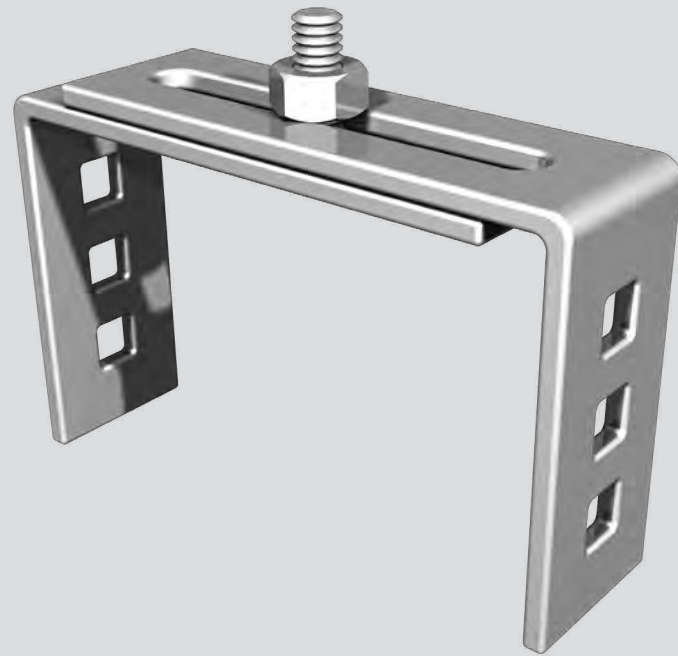
70"

**BUY NOW**

DOUBLE-SLOTTED UPRIGHTS	
Model #:	<b>UR-702</b>
Description:	70"(H)
Finish:	<b>Zinc</b> ■
Item #:	<b>16059</b>
Pack:	<b>1 (12 per)</b>
Weight:	<b>34 lbs</b>
Unit Price:	<b>\$74.58</b>
<b>UPS Shippable</b>	



[INDEX](#)



FITS: FS, EA, 2-TIERED SHELVES AND FREE STANDING TUBULAR AND WIRE DISPLAYS

## BRACKET CLAMP

[INQUIRE HERE](#)

Model #:	<b>BC-200</b>	Finish:	<b>Zinc</b> ■
Description:	Bracket Clamp	Item #:	<b>12959</b>
Pack:	<b>1 (24 per)</b>	Weight:	<b>9 lbs</b>
Unit Price:	<b>MTO</b>	<b>UPS Shippable</b>	

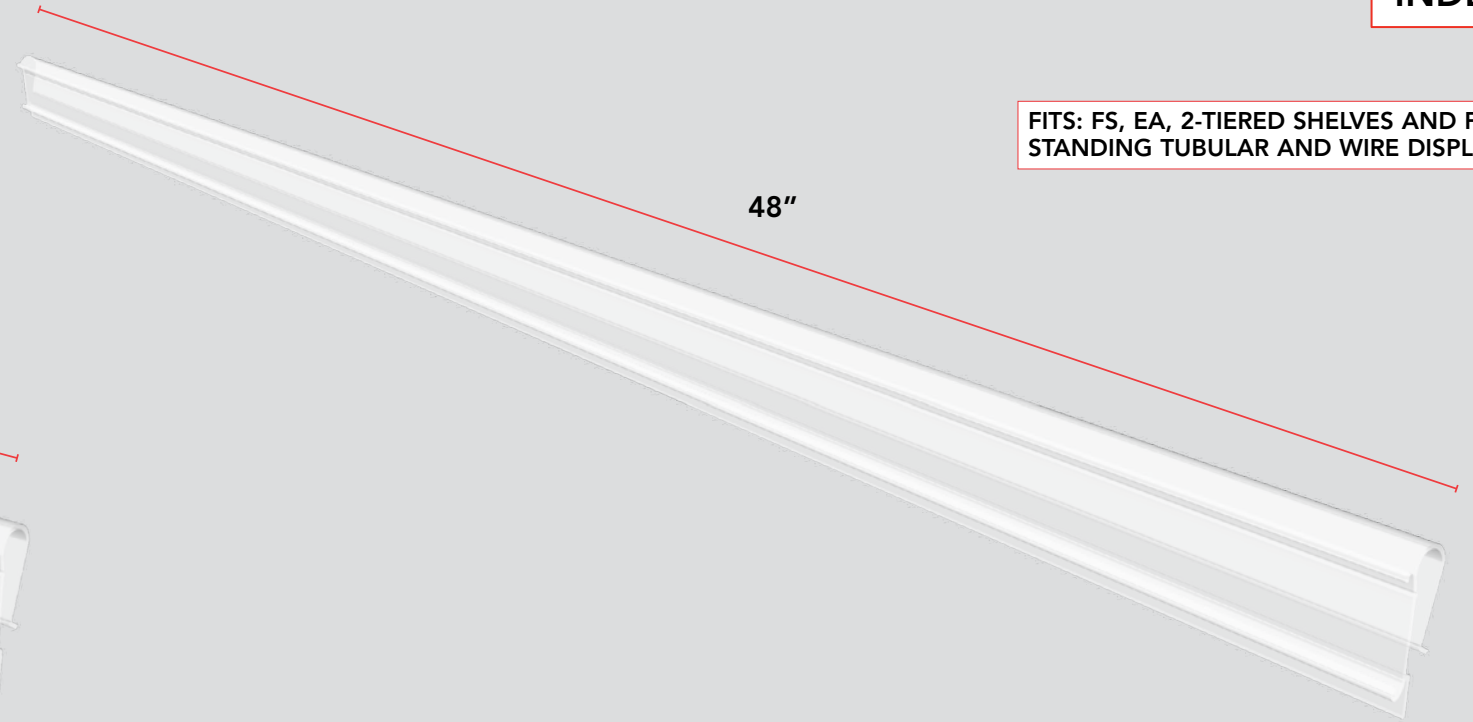
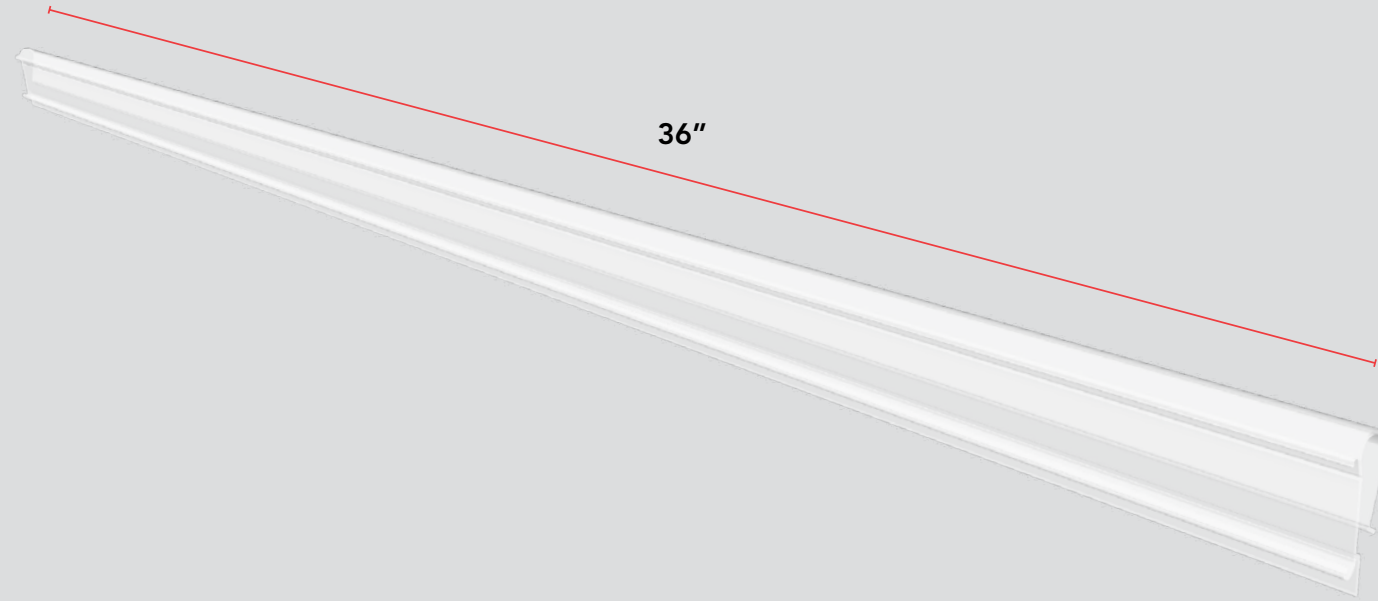
## EXTRUDED PRICE MOLDS

[INQUIRE HERE](#)

Model #:	<b>PMC-2</b>	Finish:	<b>Clear</b>
Description:	24"(W)	Item #:	<b>14625</b>
Pack:	<b>1 (20 per)</b>	Weight:	<b>5 lbs</b>
Unit Price:	<b>MTO</b>	<b>UPS Shippable</b>	



[INDEX](#)



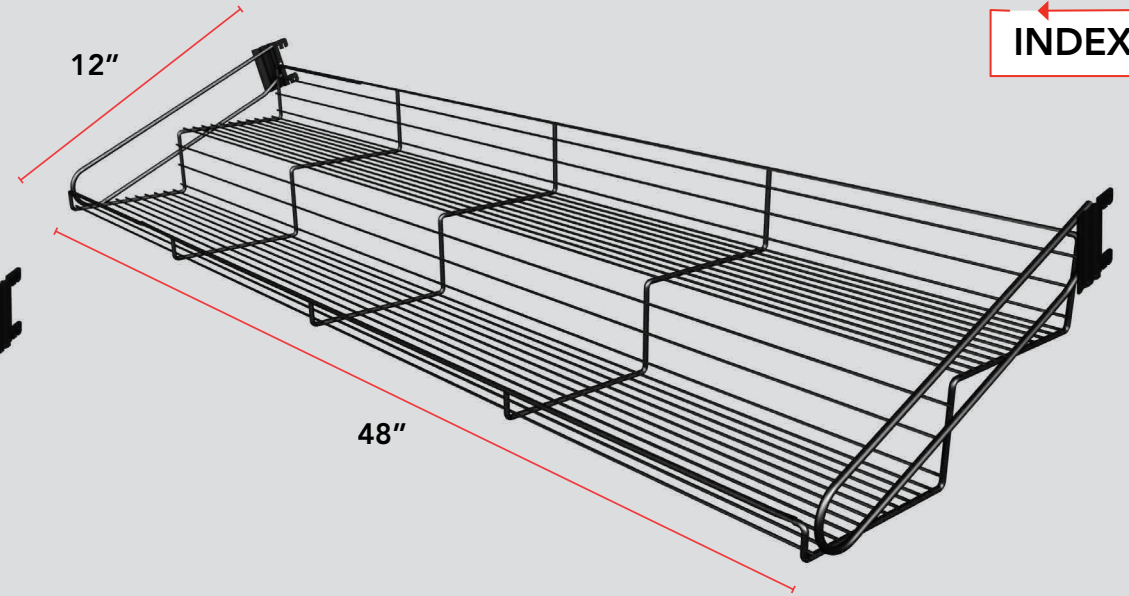
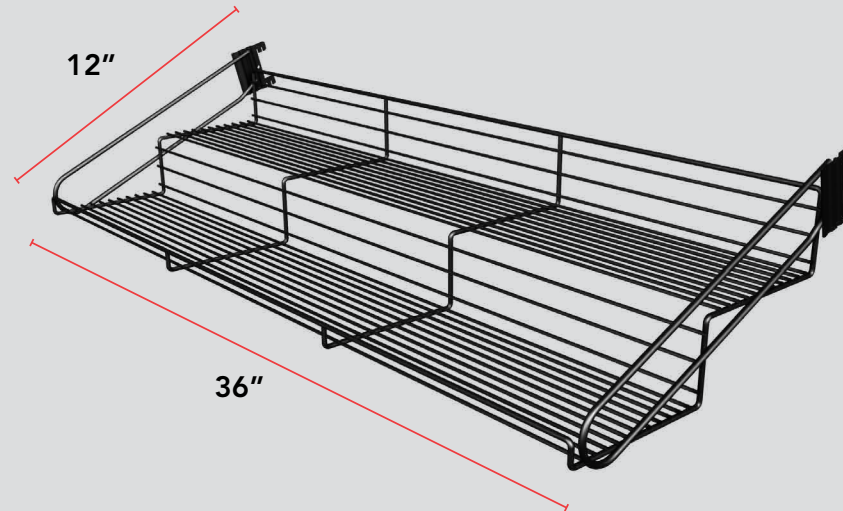
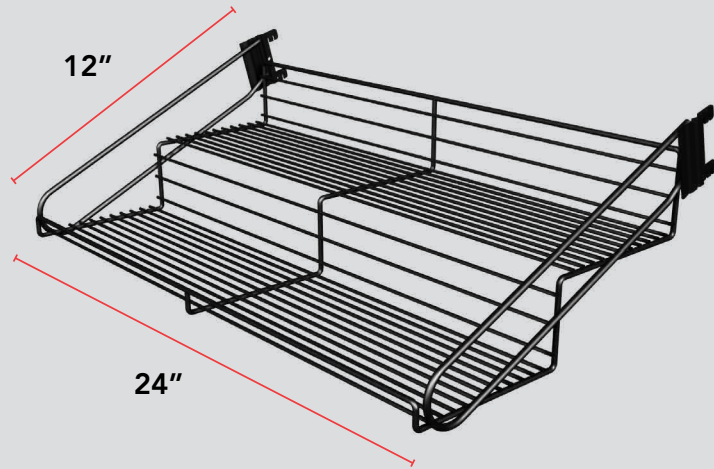
FITS: FS, EA, 2-TIERED SHELVES AND FREE STANDING TUBULAR AND WIRE DISPLAYS

EXTRUDED PRICE MOLDS		<a href="#">INQUIRE HERE</a>	
Model #:	<b>PMC-3</b>	Finish:	<b>Clear</b>
Description:	36"(W)	Item #:	<b>14626</b>
Pack:	<b>1 (20 per)</b>	Weight:	<b>7 lbs</b>
Unit Price:	<b>MTO</b>	<b>UPS Shippable</b>	

EXTRUDED PRICE MOLDS		<a href="#">INQUIRE HERE</a>	
Model #:	<b>PMC-4</b>	Finish:	<b>Clear</b>
Description:	48"(W)	Item #:	<b>14627</b>
Pack:	<b>1 (20 per)</b>	Weight:	<b>9 lbs</b>
Unit Price:	<b>MTO</b>	<b>UPS Shippable</b>	







**INQUIRE HERE**

## TIERED SHELVING

Model #:	<b>2T-24M</b>	
Description:	24" (W) X 12" (D)	
Finish:	Chrome <input type="checkbox"/>	<b>Black</b> <input checked="" type="checkbox"/>
Item #:	12495	<b>14276</b>
Pack:	1 (4 per)	<b>1 (4 per)</b>
Weight:	15 lbs	<b>15 lbs</b>
Unit Price:	MTO	<b>MTO</b>
<b>UPS Shippable</b>		

**INQUIRE HERE**

## TIERED SHELVING

Model #:	<b>2T-36M</b>	
Description:	36" (W) X 12" (D)	
Finish:	Chrome <input type="checkbox"/>	<b>Black</b> <input checked="" type="checkbox"/>
Item #:	12496	<b>14277</b>
Pack:	1 (4 per)	<b>1 (4 per)</b>
Weight:	20 lbs	<b>20 lbs</b>
Unit Price:	MTO	<b>\$115.20</b>
<b>UPS Shippable</b>		

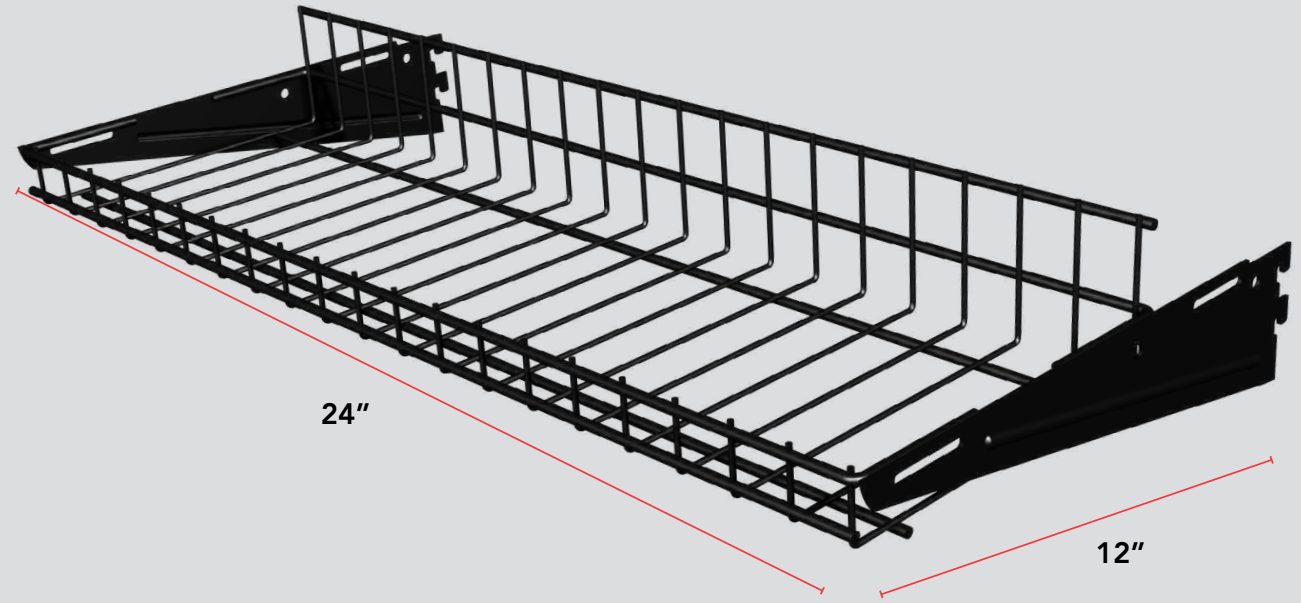
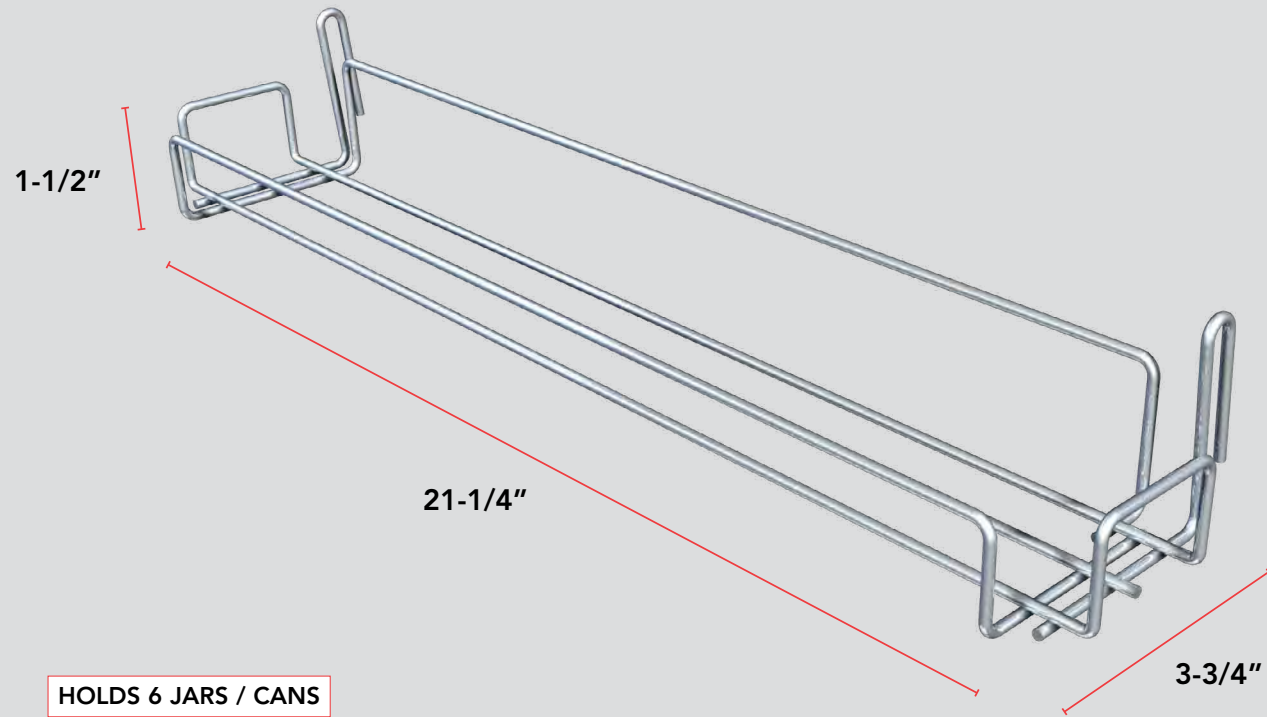
**BUY NOW**

## TIERED SHELVING

Model #:	<b>2T-48M</b>	
Description:	48" (W) X 12" (D)	
Finish:	Chrome <input type="checkbox"/>	<b>Black</b> <input checked="" type="checkbox"/>
Item #:	12497	<b>14435</b>
Pack:	1 (4 per)	<b>1 (4 per)</b>
Weight:	25 lbs	<b>25 lbs</b>
Unit Price:	\$130.48	<b>\$130.48</b>
<b>UPS Shippable</b>		



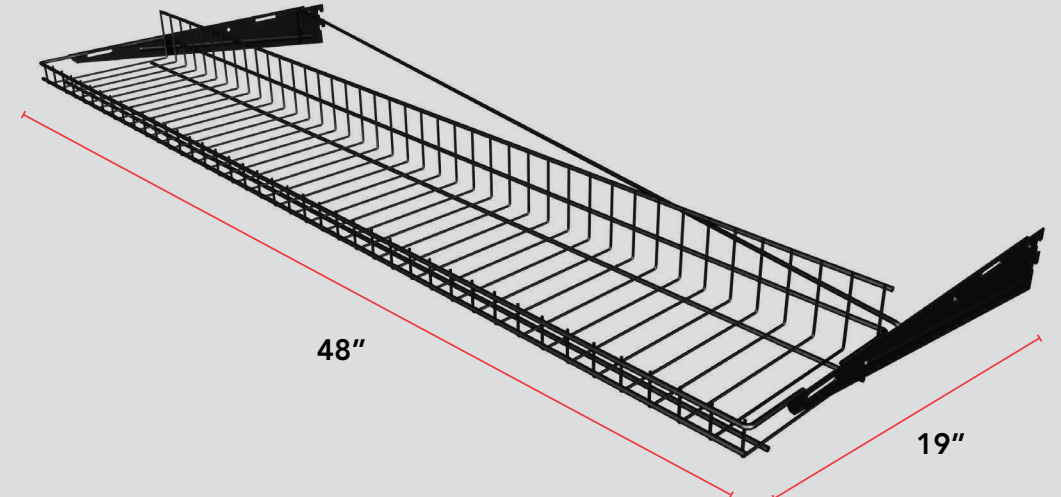
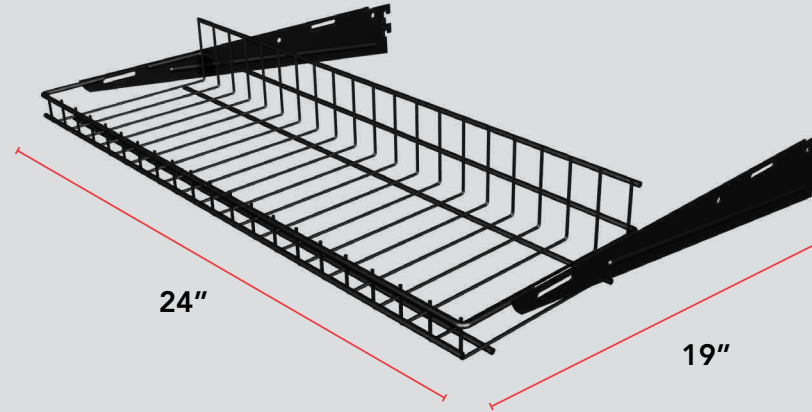
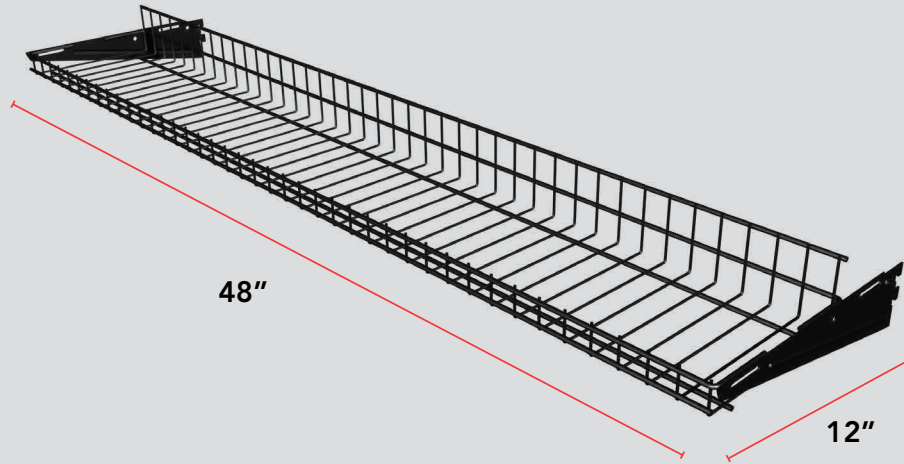
[INDEX](#)



SBD-6 DIP SHELF		<a href="#">INQUIRE HERE</a>	
Model #:	<b>SBD-6</b>	Finish:	<b>Chrome</b> ■
Description:	21-1/4"(W) x 3-3/4"(D)	Item #:	<b>11244</b>
Pack:	<b>1 (25 per)</b>	Weight:	<b>22 lbs</b>
Unit Price:	<b>MTO</b>	<b>UPS Shippable</b>	

IN-LINE DIP SHELF		<a href="#">INQUIRE HERE</a>	
Model #:	<b>1224-DS</b>	Finish:	<b>Black</b> ■
Description:	24"(W) x 12"(D)	Item #:	<b>14265</b>
Pack:	<b>1 (4 per)</b>	Weight:	<b>13 lbs</b>
Unit Price:	<b>MTO</b>	<b>UPS Shippable</b>	





**INQUIRE HERE**

### IN-LINE DIP SHELF

Model #:	<b>1248-DS</b>	
Description:	48"(W) X 12"(D)	
Finish:	Chrome <input type="checkbox"/>	<b>Black</b> <input checked="" type="checkbox"/>
Item #:	12845	<b>14412</b>
Pack:	1 (4 per)	<b>1 (4 per)</b>
Weight:	20 lbs	<b>20 lbs</b>
Unit Price:	MTO	<b>MTO</b>
<b>UPS Shippable</b>		

**INQUIRE HERE**

### IN-LINE DIP SHELF

Model #:	<b>1924-DS</b>	
Description:	24"(W) X 19"(D)	
Finish:	Chrome <input type="checkbox"/>	<b>Black</b> <input checked="" type="checkbox"/>
Item #:	12847	<b>14282</b>
Pack:	1 (4 per)	<b>1 (4 per)</b>
Weight:	16 lbs	<b>16 lbs</b>
Unit Price:	MTO	<b>MTO</b>
<b>UPS Shippable</b>		

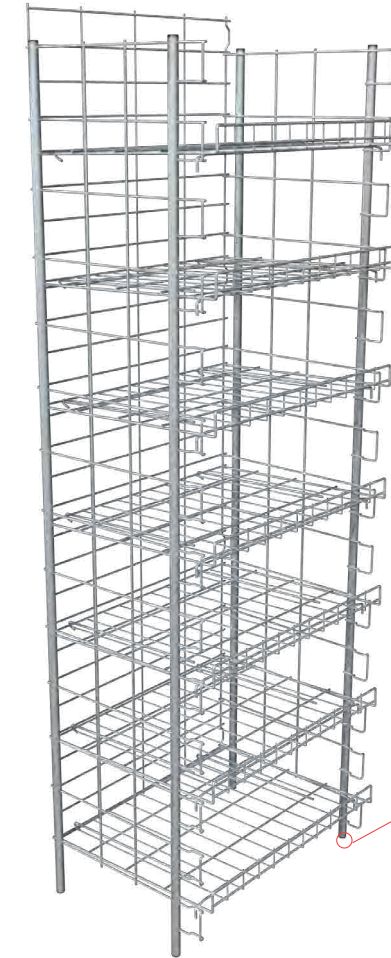
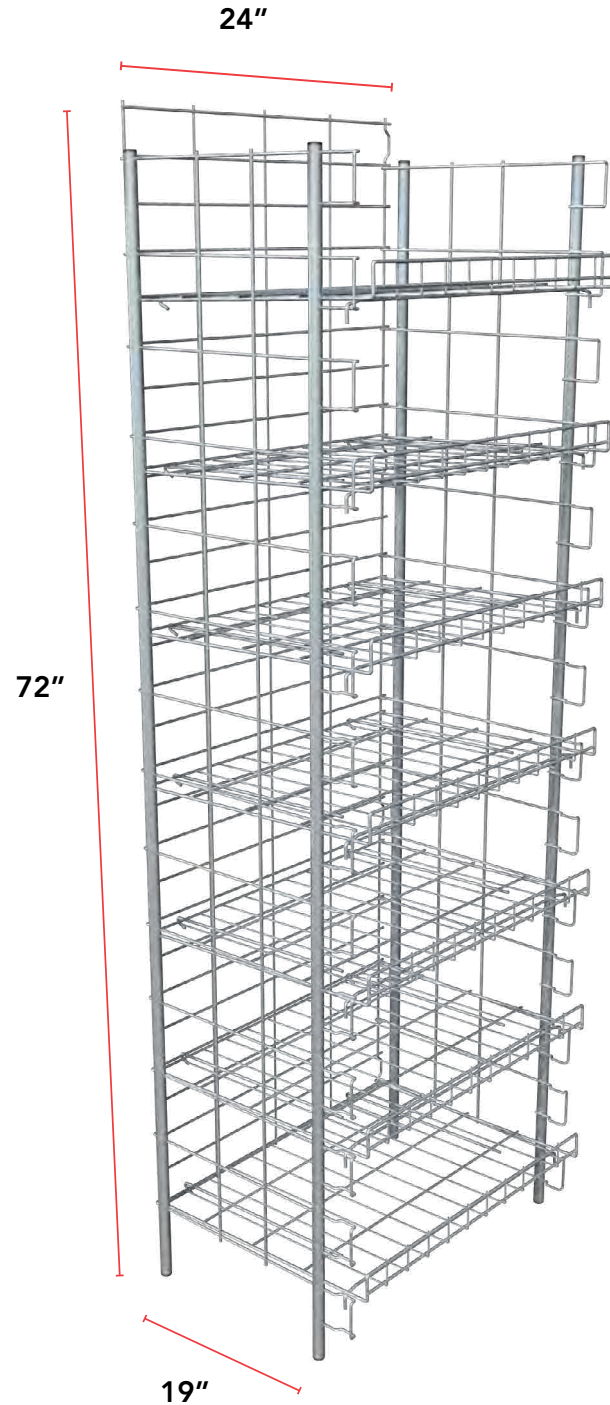
**BUY NOW**

### IN-LINE DIP SHELF

Model #:	<b>1948-DS</b>	
Description:	48"(W) X 19"(D)	
Finish:	Chrome <input type="checkbox"/>	<b>Black</b> <input checked="" type="checkbox"/>
Item #:	12851	<b>14283</b>
Pack:	1 (4 per)	<b>1 (4 per)</b>
Weight:	24 lbs	<b>24 lbs</b>
Unit Price:	\$71.38	<b>\$71.38</b>
<b>UPS Shippable</b>		







INDEX


NOTE: Optional Casters

NOTE: All shelves can be positioned flat and/or angled

Wire spacings on 2-5/8" centers (typical)

## 7-SHELF TUBULAR DISPLAYS

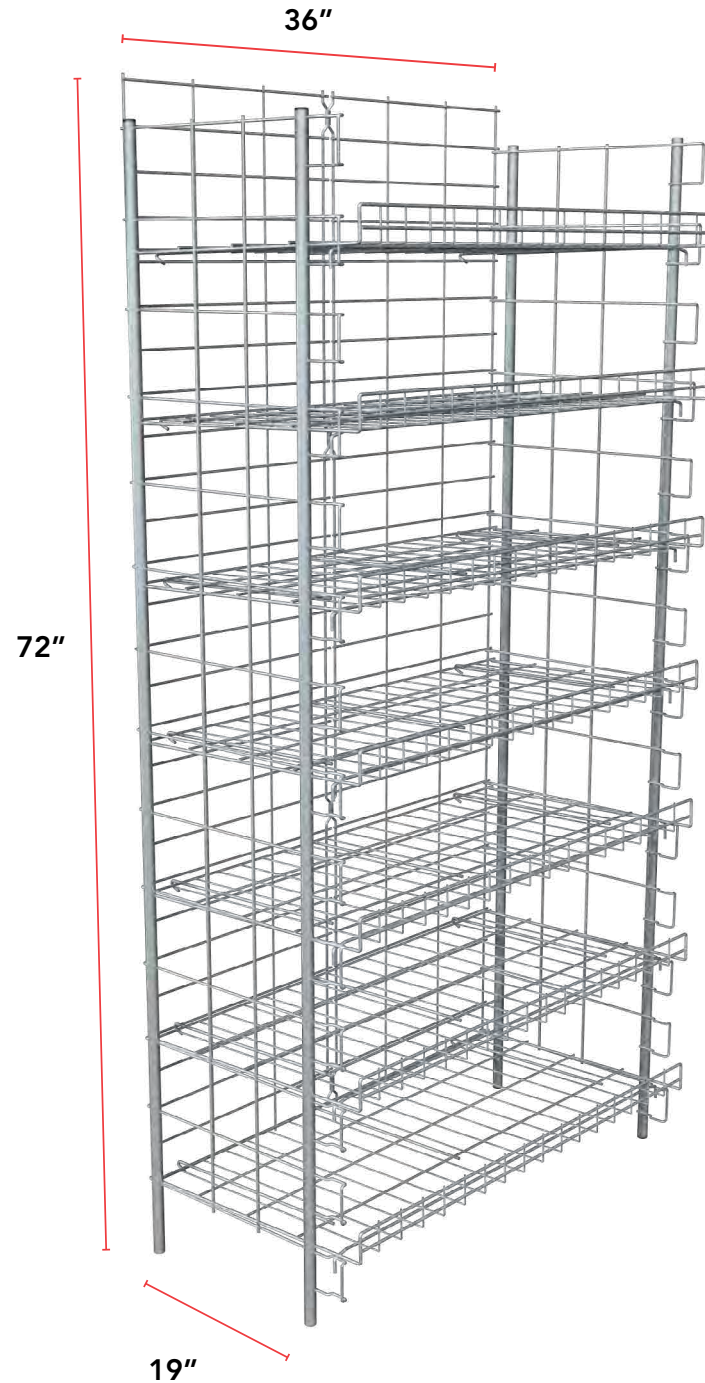
BUY NOW

Model #:	<b>X197-24</b>	Finish:	Chrome <input type="checkbox"/>	Black <input checked="" type="checkbox"/>
Description:	72"(H) x 24"(W) x 19"(D)	Item #:	15690	<b>15689</b>
		Pack:	1	<b>1</b>
		Weight:	37 lbs	<b>37 lbs</b>
		Unit Price:	\$86.53	<b>\$86.53</b>
<b>UPS Shippable</b>				





INDEX




NOTE: Optional Casters

NOTE: All shelves can be positioned flat and/or angled

Wire spacings on 2-5/8" centers (typical)

## 7-SHELF TUBULAR DISPLAYS

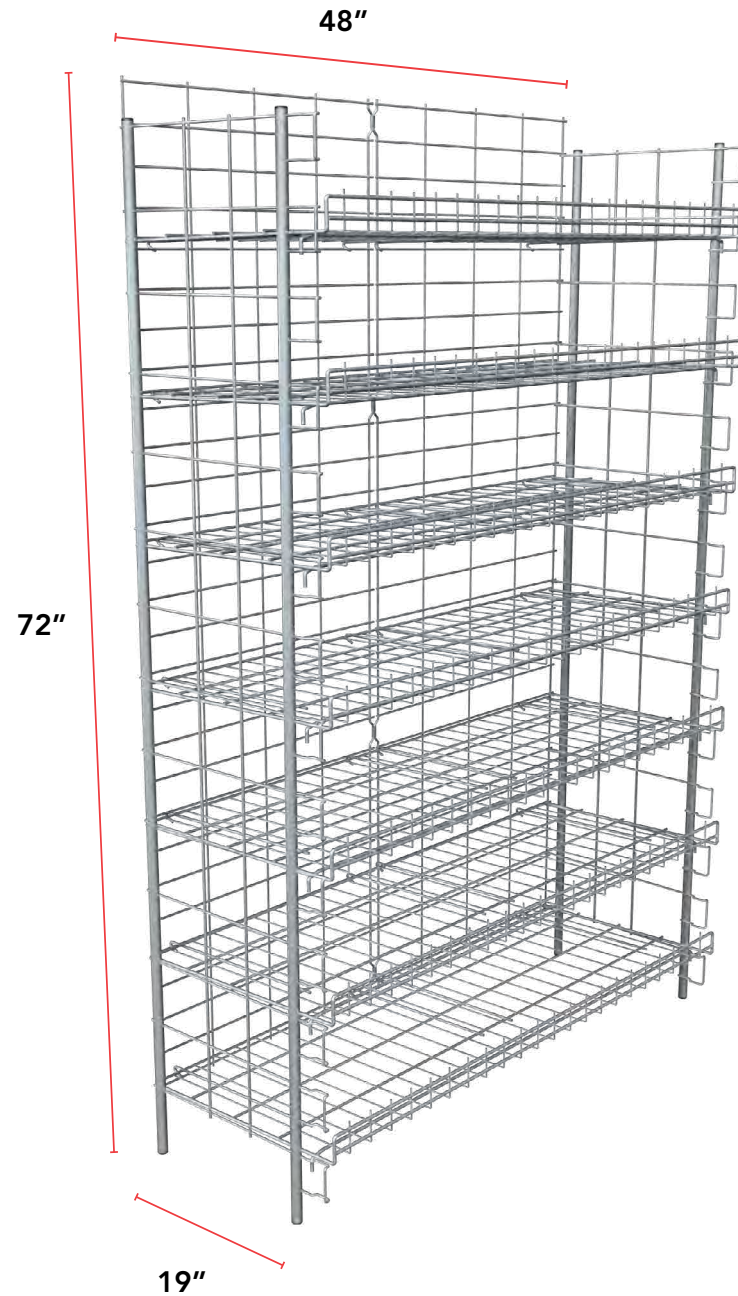
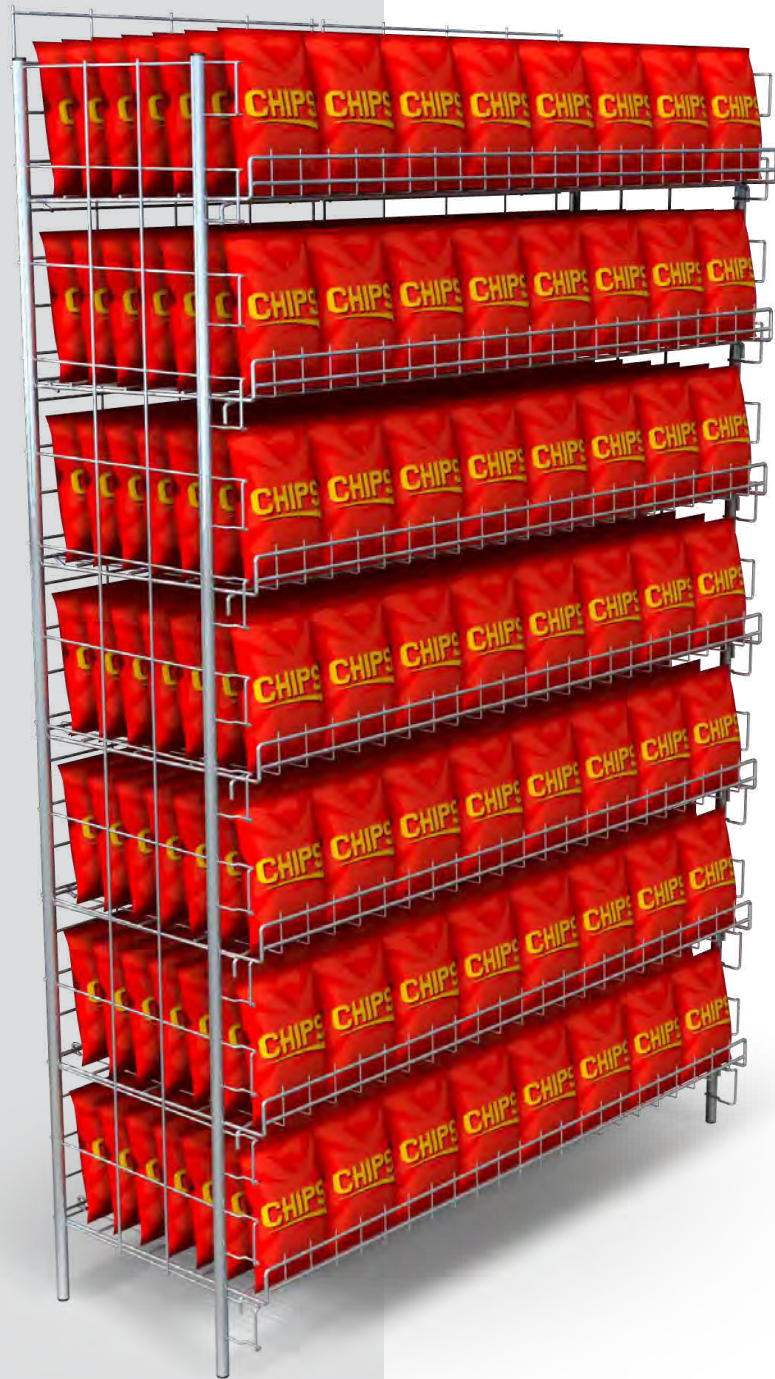
BUY NOW

Model #:	<b>X197-36</b>	Finish:	<b>Chrome</b> ■
Description:	72"(H) x 36"(W) x 19"(D)	Item #:	<b>14844</b>
		Pack:	<b>1</b>
		Weight:	<b>55 lbs</b>
		Unit Price:	<b>\$112.17</b>
<b>UPS Shippable</b>			





INDEX




NOTE: Optional Casters

NOTE: All shelves can be positioned flat and/or angled

Wire spacings on 2-5/8" centers (typical)

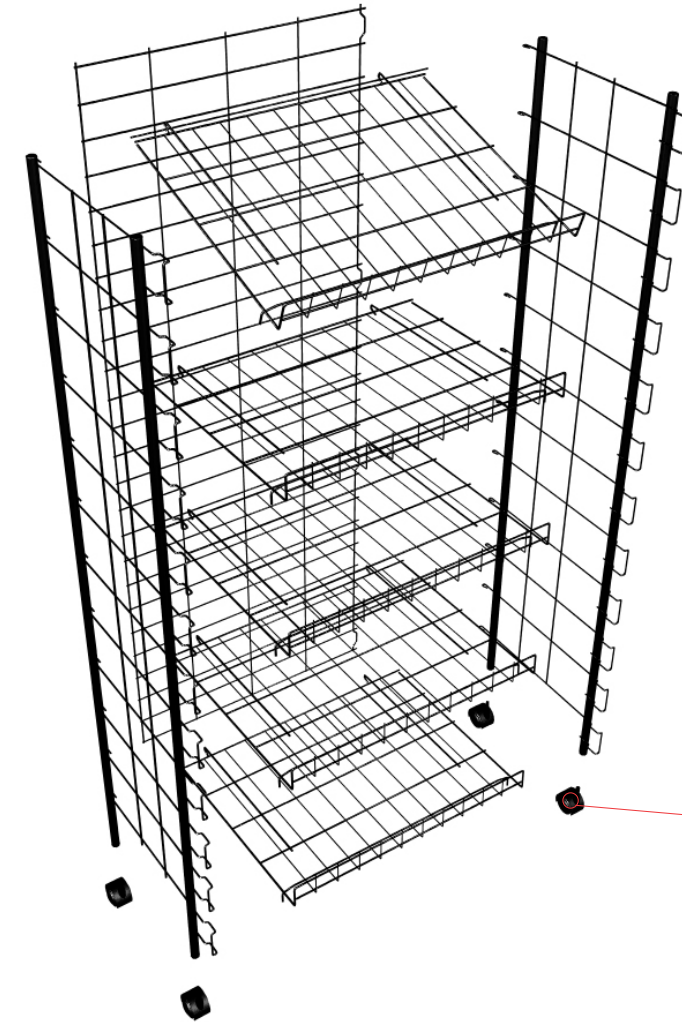
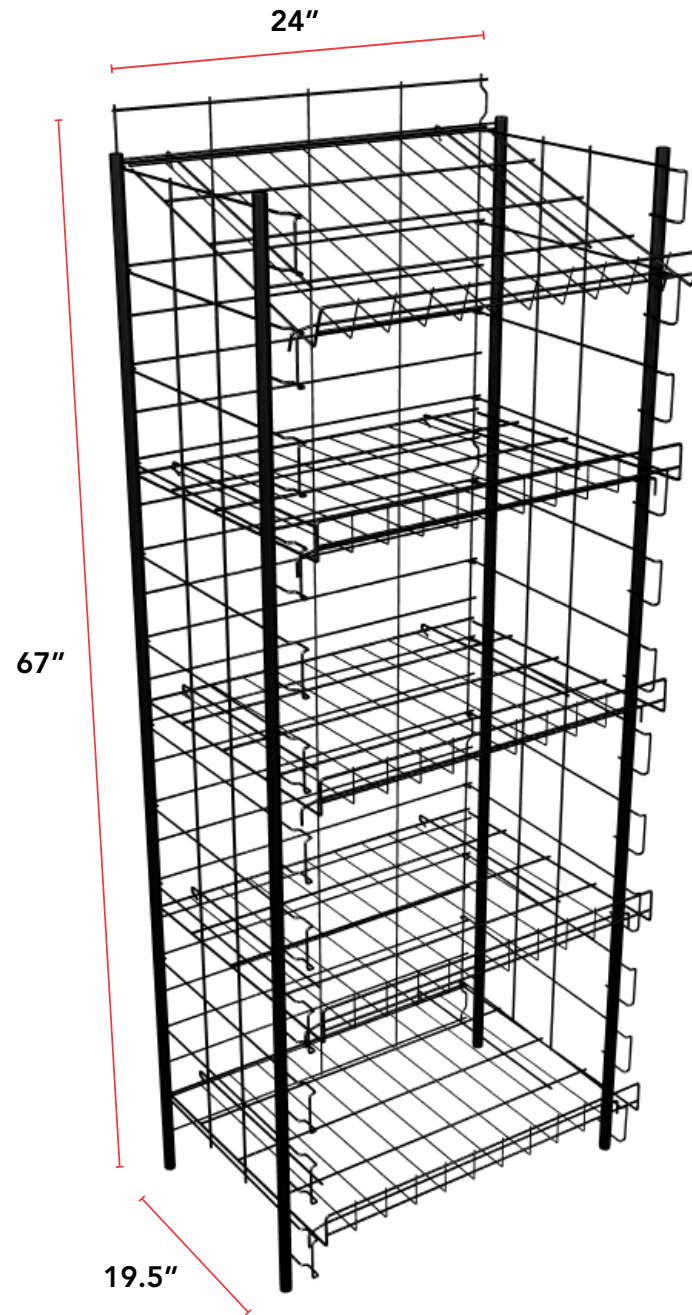
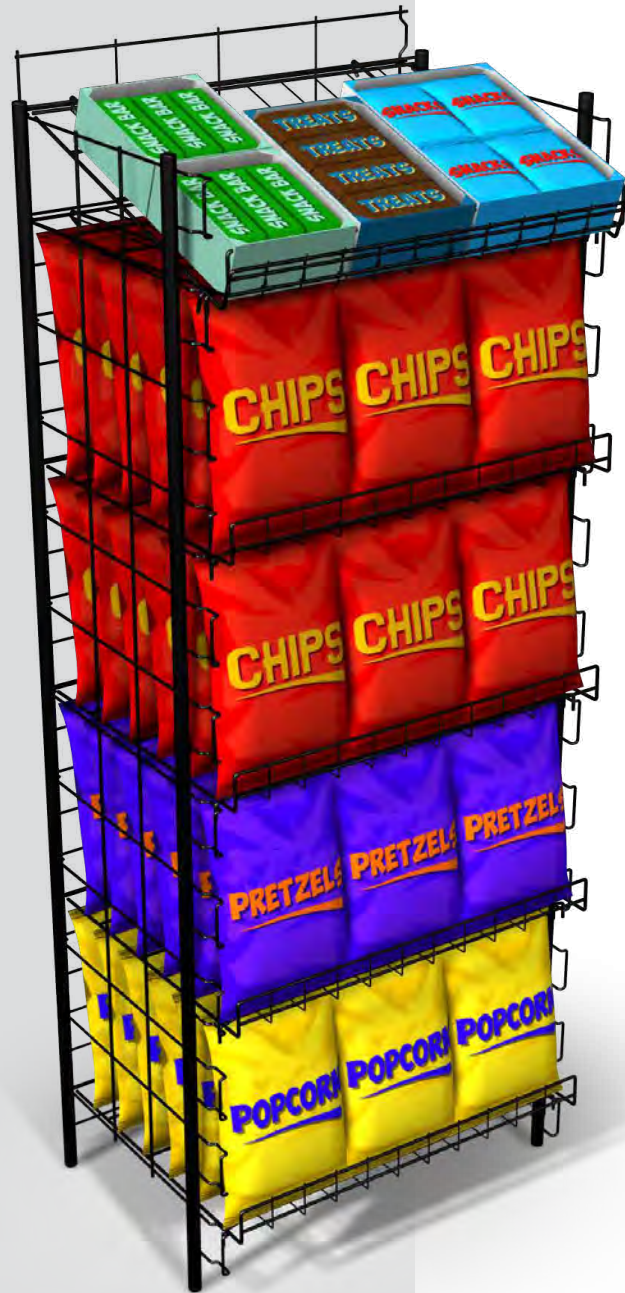
## 7-SHELF TUBULAR DISPLAYS

BUY NOW

Model #:	<b>X197-48</b>	Finish:	<b>Chrome</b> ■
Description:	72"(H) x 48"(W) x 19"(D)	Item #:	<b>14845</b>
		Pack:	<b>1</b>
		Weight:	<b>66 lbs</b>
		Unit Price:	<b>\$135.93</b>
<b>UPS Shippable</b>			








NOTE: Optional Casters

NOTE: All shelves can be positioned flat and/or angled

INDEX

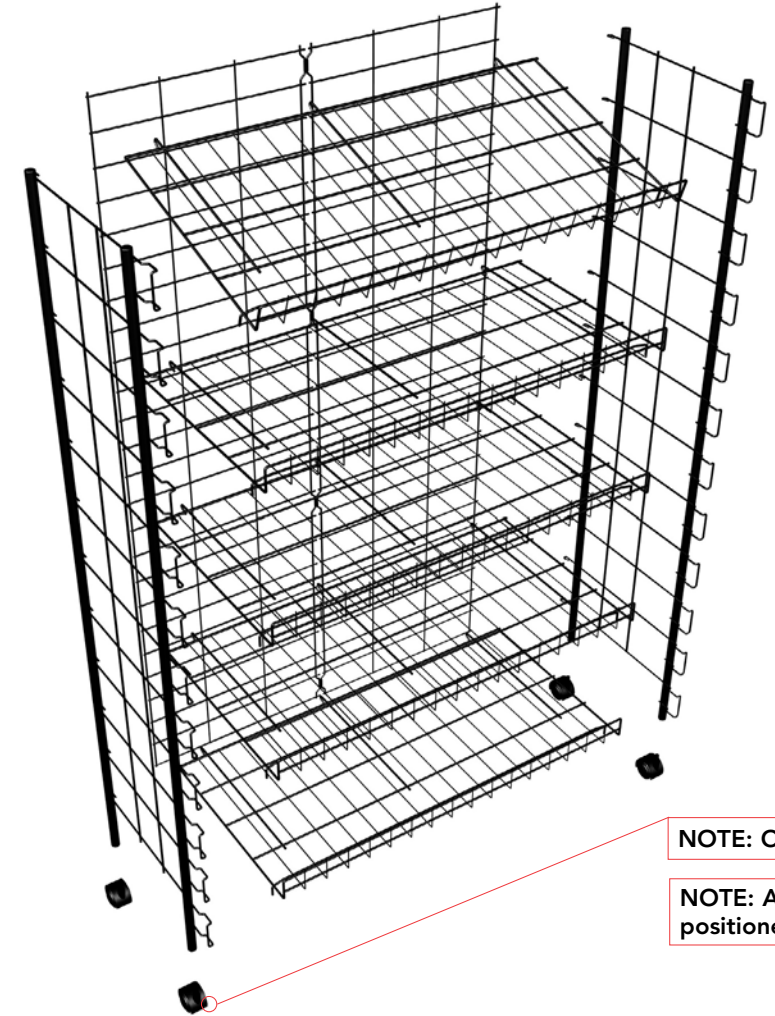
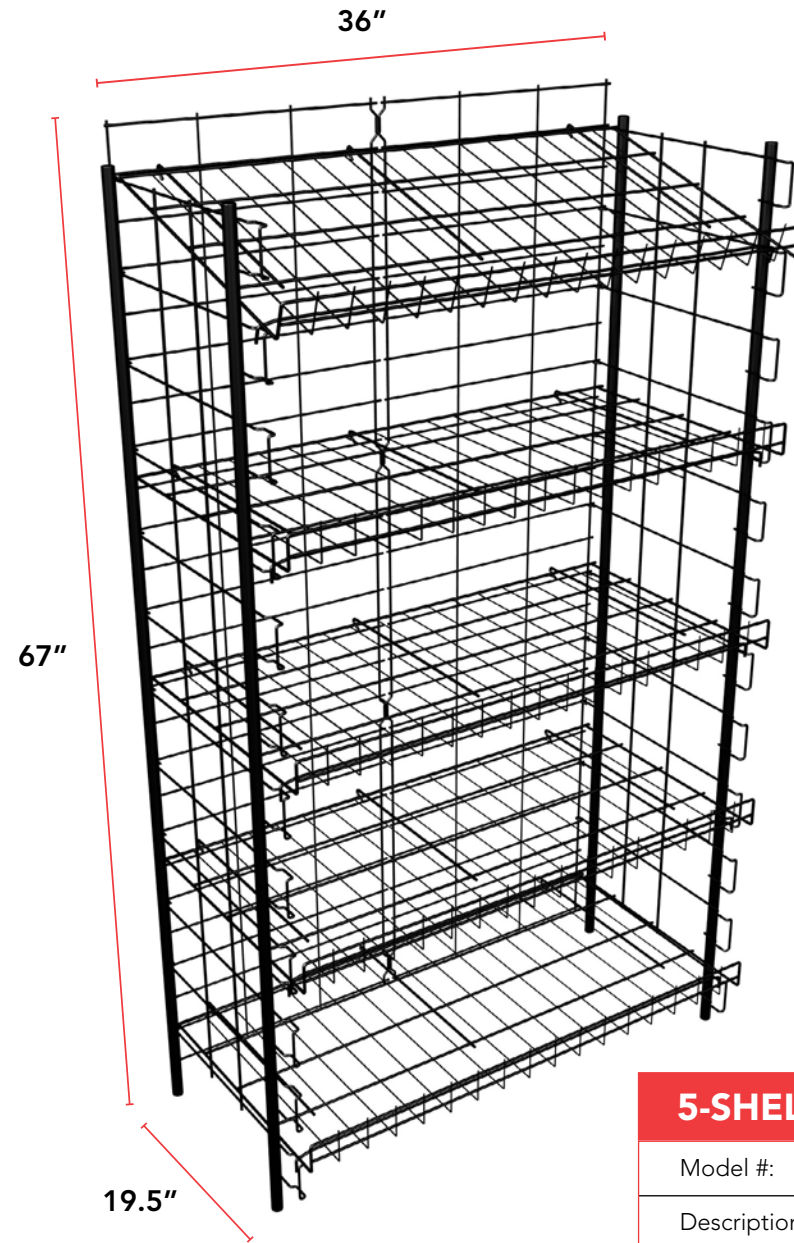
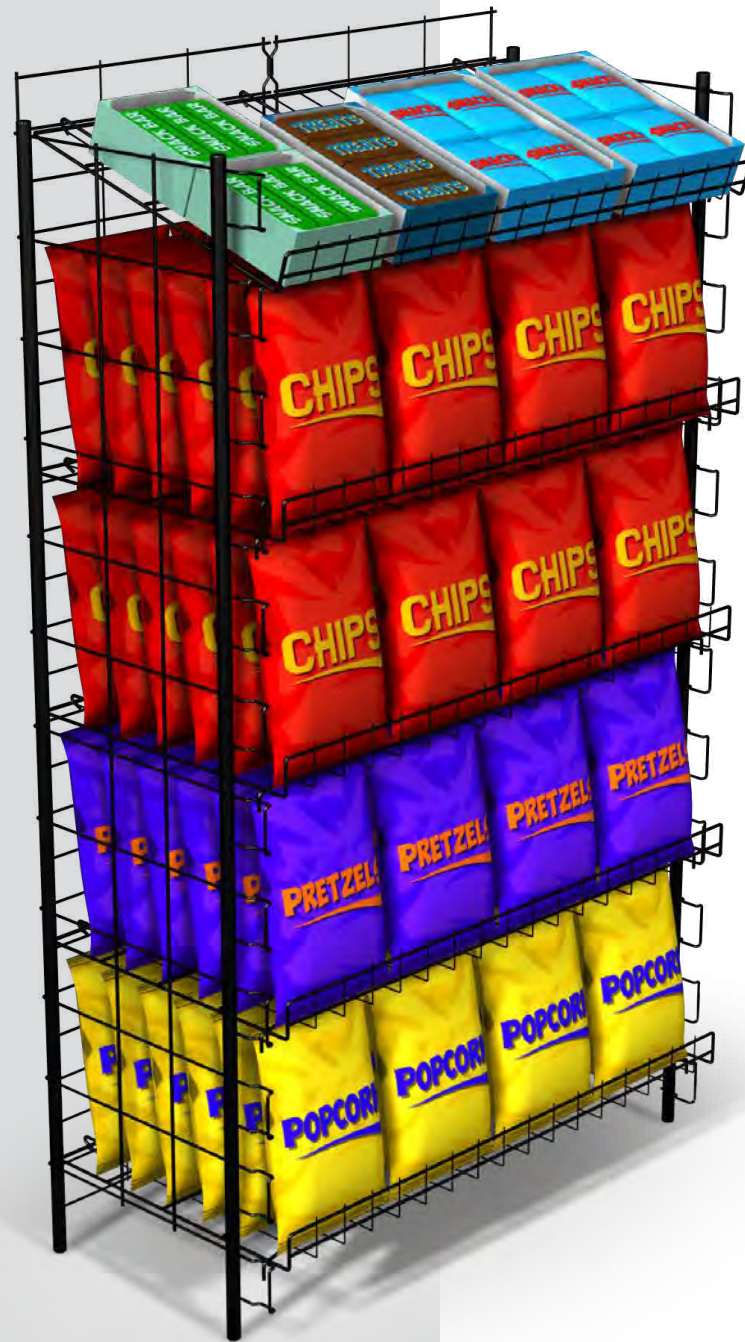
## 5-SHELF TUBULAR DISPLAYS

BUY NOW

Model #:	<b>R195-24</b>	Finish:	Chrome <input type="checkbox"/>	Black <input checked="" type="checkbox"/>
Description:	67"(H) x 24"(W) x 19.5"(D)	Item #:	15685	<b>15684</b>
		Pack:	1	<b>1</b>
		Weight:	31 lbs	<b>31 lbs</b>
		Unit Price:	\$71.77	<b>\$71.77</b>
<b>UPS Shippable</b>				








INDEX

NOTE: Optional Casters

NOTE: All shelves can be positioned flat and/or angled

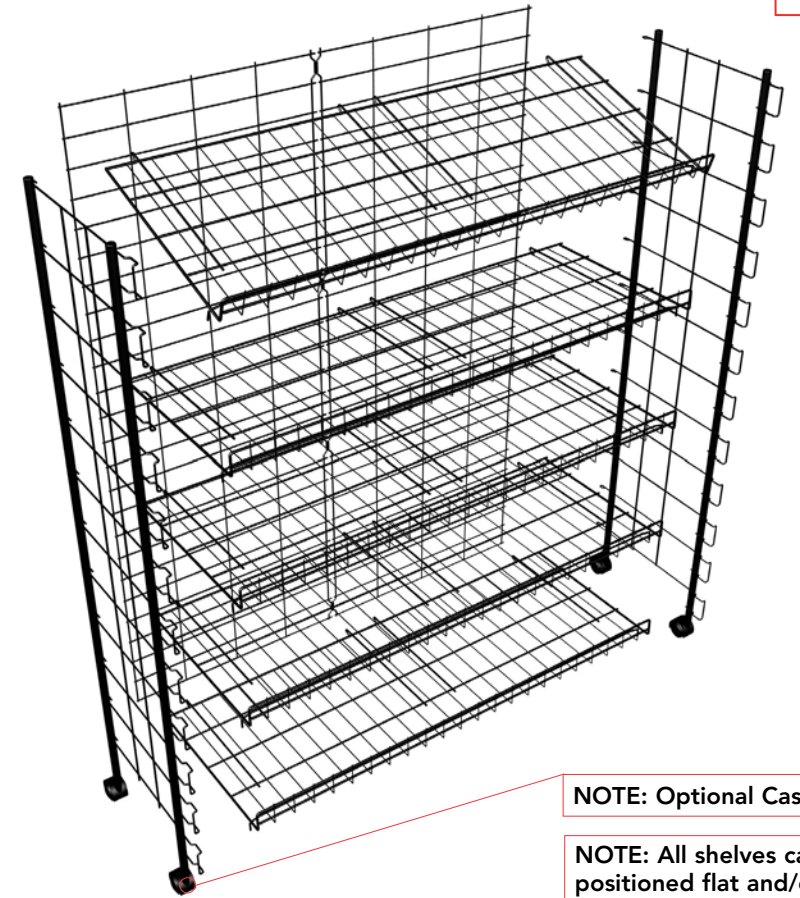
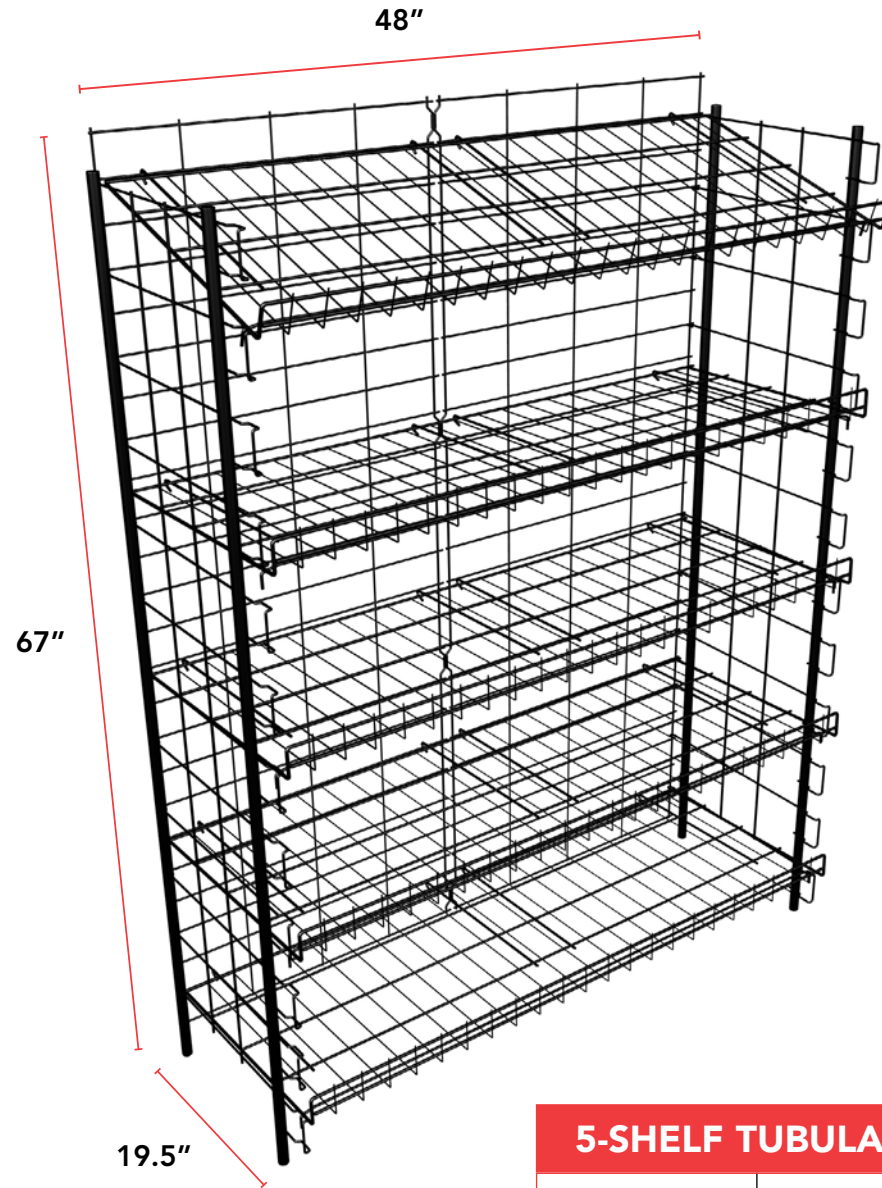
## 5-SHELF TUBULAR DISPLAYS

BUY NOW

Model #:	<b>R195-36</b>	Finish:	Chrome <input type="checkbox"/>	<b>Black <input checked="" type="checkbox"/></b>
Description:	67"(H) x 36"(W) x 19.5"(D)	Item #:	15381	<b>15686</b>
		Pack:	1	<b>1</b>
		Weight:	46 lbs	<b>46 lbs</b>
		Unit Price:	\$88.90	<b>\$88.90</b>
<b>UPS Shippable</b>				








INDEX

NOTE: Optional Casters

NOTE: All shelves can be positioned flat and/or angled

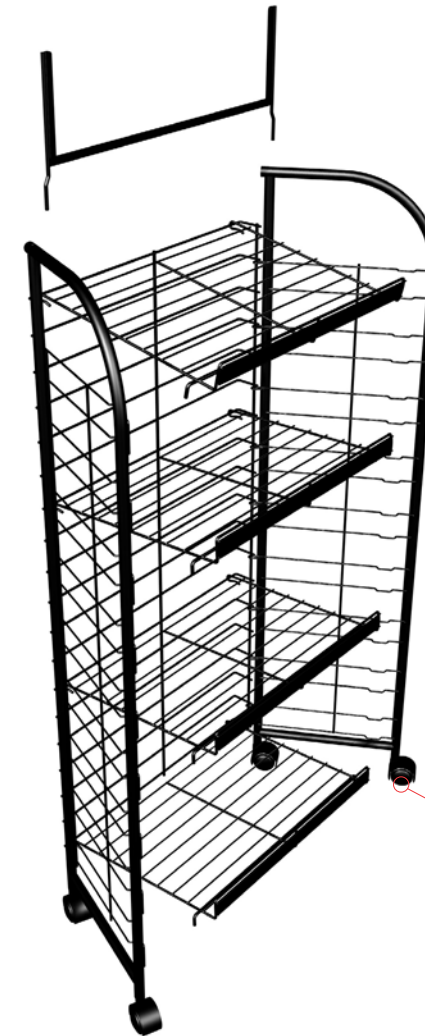
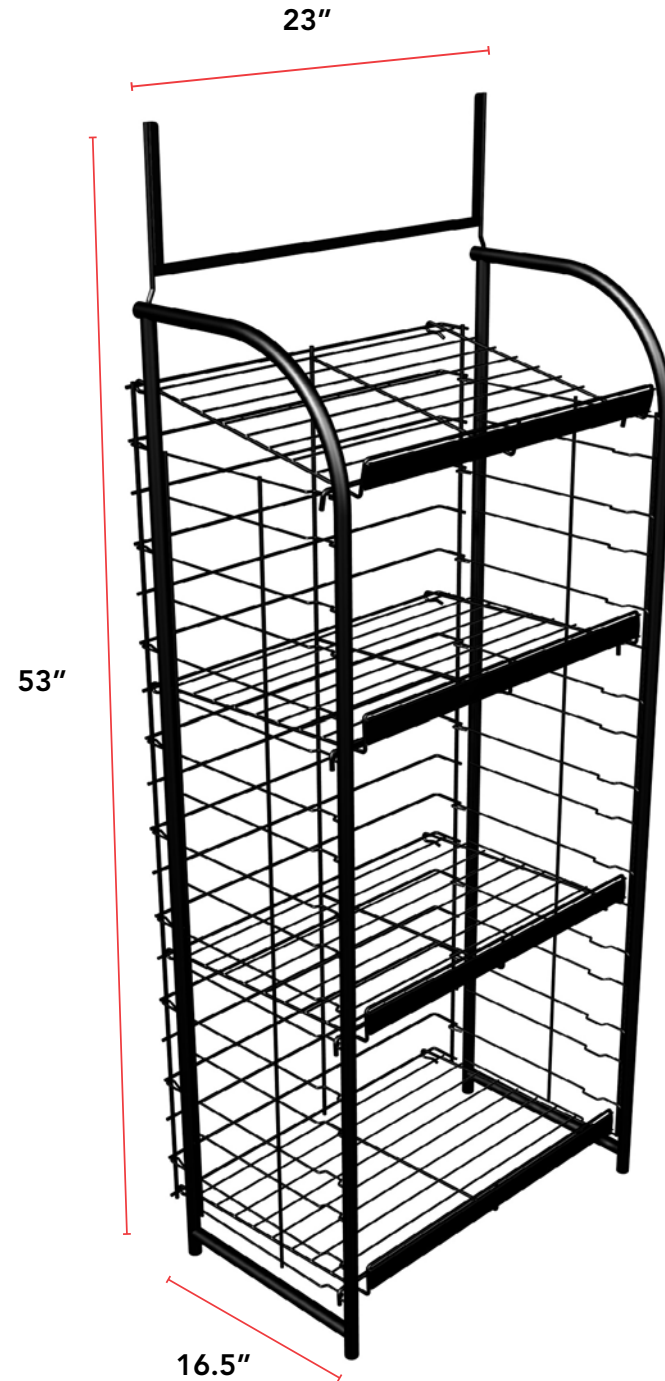
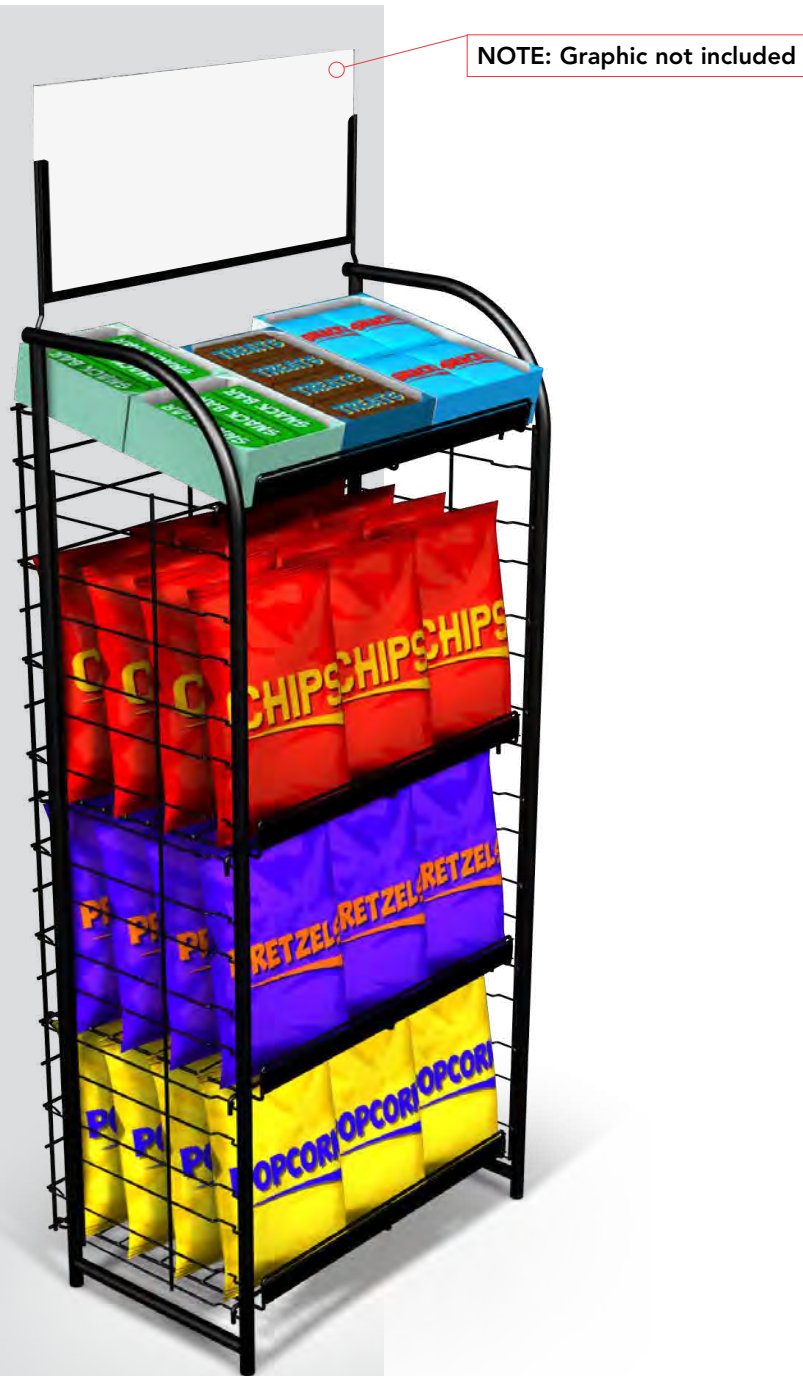
## 5-SHELF TUBULAR DISPLAYS

INQUIRE HERE


Model #:	<b>R195-48</b>	Finish:	Chrome <input type="checkbox"/>	Black <input checked="" type="checkbox"/>
Description:	67"(H) x 48"(W) x 19.5"(D)	Item #:	15688	<b>15687</b>
		Pack:	1	<b>1</b>
		Weight:	54 lbs	<b>54 lbs</b>
		Unit Price:	\$114.61	<b>\$114.61</b>





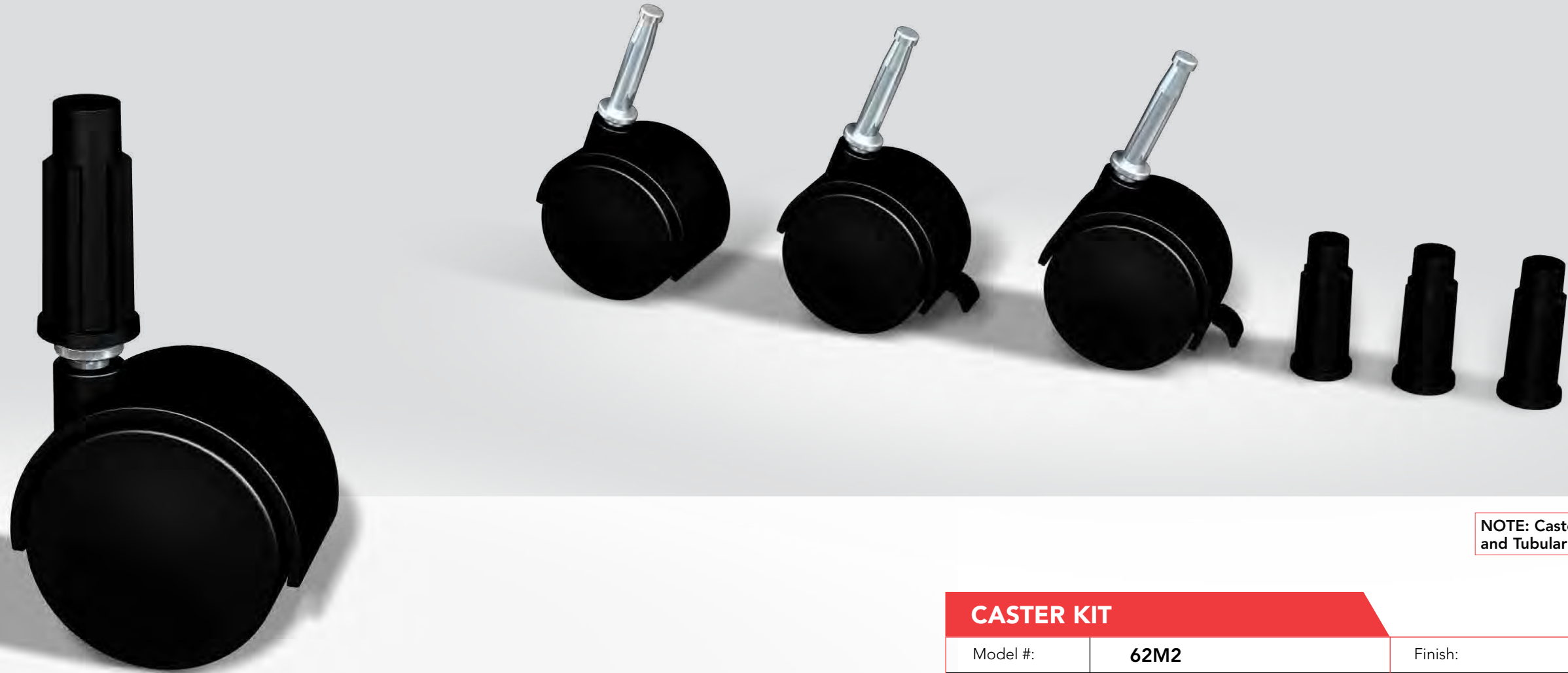


INDEX

TUBULAR COLLAPSIBLE HUTCH		BUY NOW	
Model #:	CH166-23	Finish:	Black ■
Description:	53"(H) x 23"(W) x 16.5"(D)	Item #:	16595
		Pack:	1
		Weight:	52 lbs
		Unit Price:	\$106.14
UPS Shippable			



[INDEX](#)

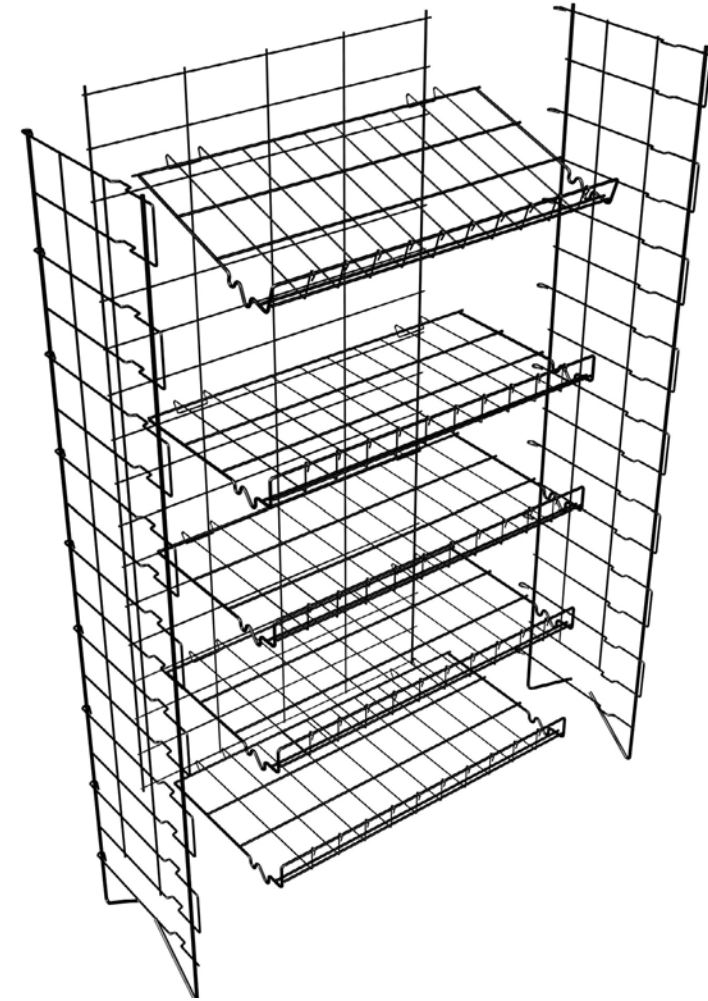
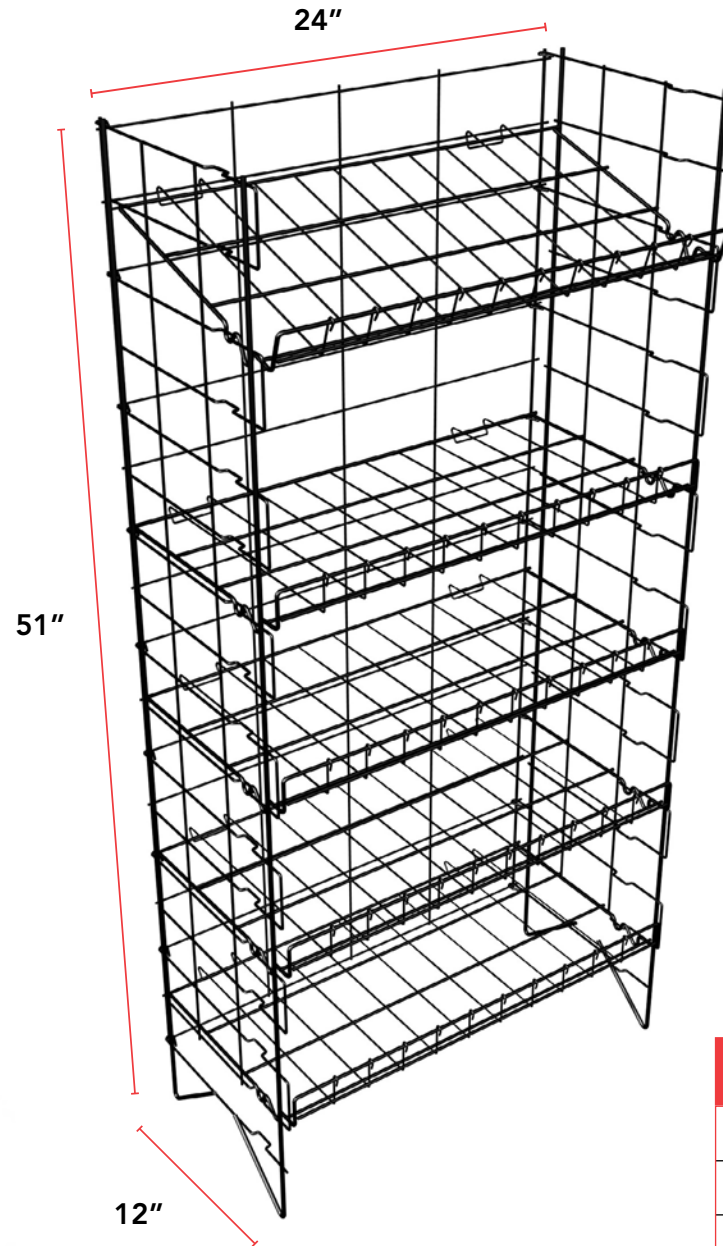
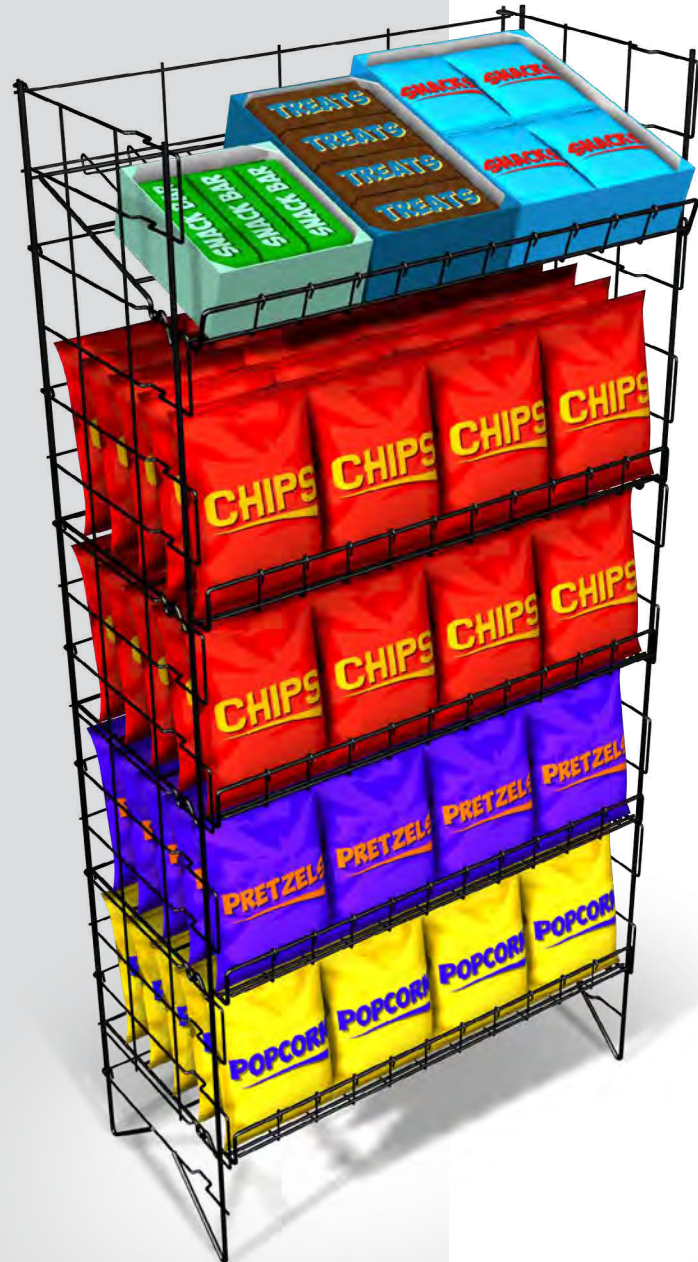


NOTE: Casters for R195, X197 and Tubular Collapsible Hutch

CASTER KIT		<a href="#">BUY NOW</a>	
Model #:	<b>62M2</b>	Finish:	<b>Black</b> ■
Description:	Tubular Leg Caster	Item #:	<b>16883</b>
		Pack:	<b>1 set (4 wheels)</b>
		Weight:	<b>2 lbs</b>
		Unit Price:	<b>\$8.35</b>
<b>UPS Shippable</b>			








[INDEX](#)

## WIRE 5 SHELF DISPLAY

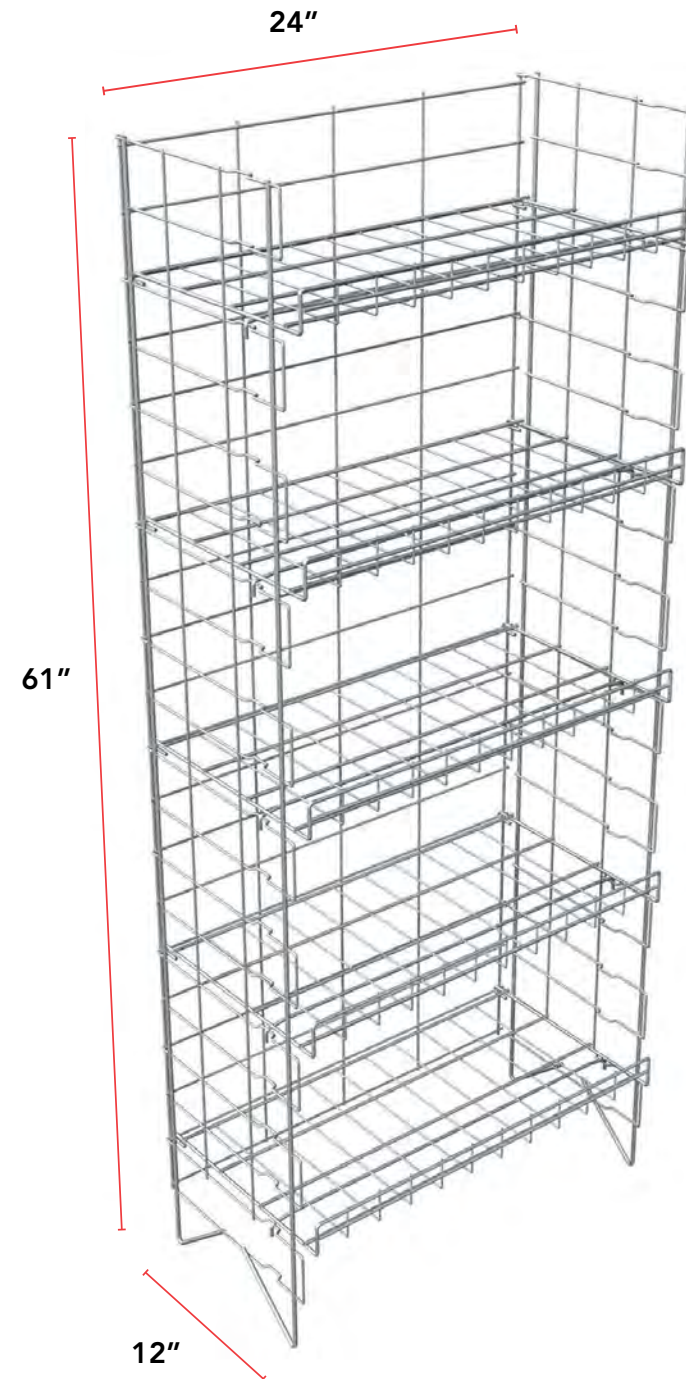
[BUY NOW](#)

Model #:	<b>L125-24</b>	Finish:	Chrome <input type="checkbox"/>	Black <input checked="" type="checkbox"/>
Description:	51"(H) x 24"(W) x 12"(D)	Item #:	16879	<b>16876</b>
		Pack:	1	<b>1</b>
		Weight:	19 lbs	<b>19 lbs</b>
		Unit Price:	\$44.55	<b>\$44.55</b>
<b>UPS Shippable</b>				






[INDEX](#)



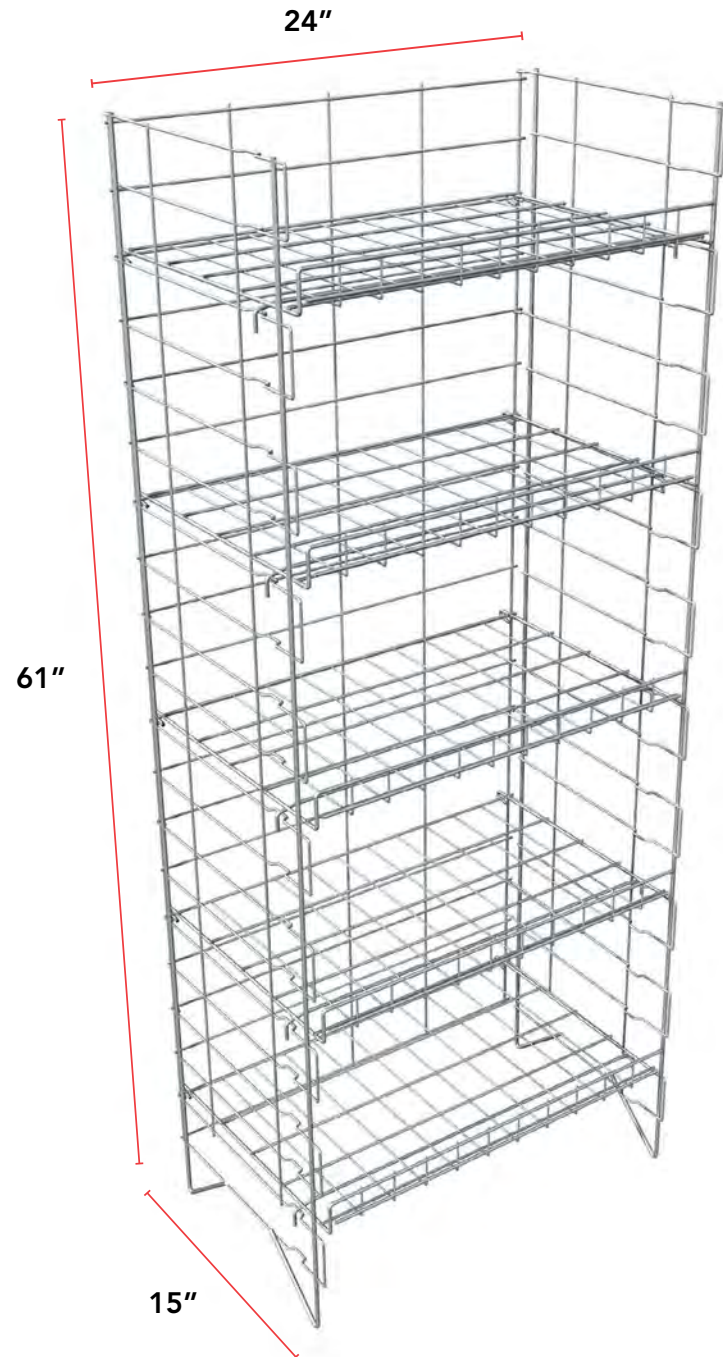
## WIRE 5 SHELF DISPLAY

[BUY NOW](#)


Model #:	<b>R125-24</b>	Finish:	<b>Chrome</b> <input type="checkbox"/>
Description:	61"(H) x 24"(W) x 12"(D)	Item #:	<b>16881</b>
		Pack:	<b>1</b>
		Weight:	<b>19 lbs</b>
		Unit Price:	<b>\$48.50</b>
<b>UPS Shippable</b>			







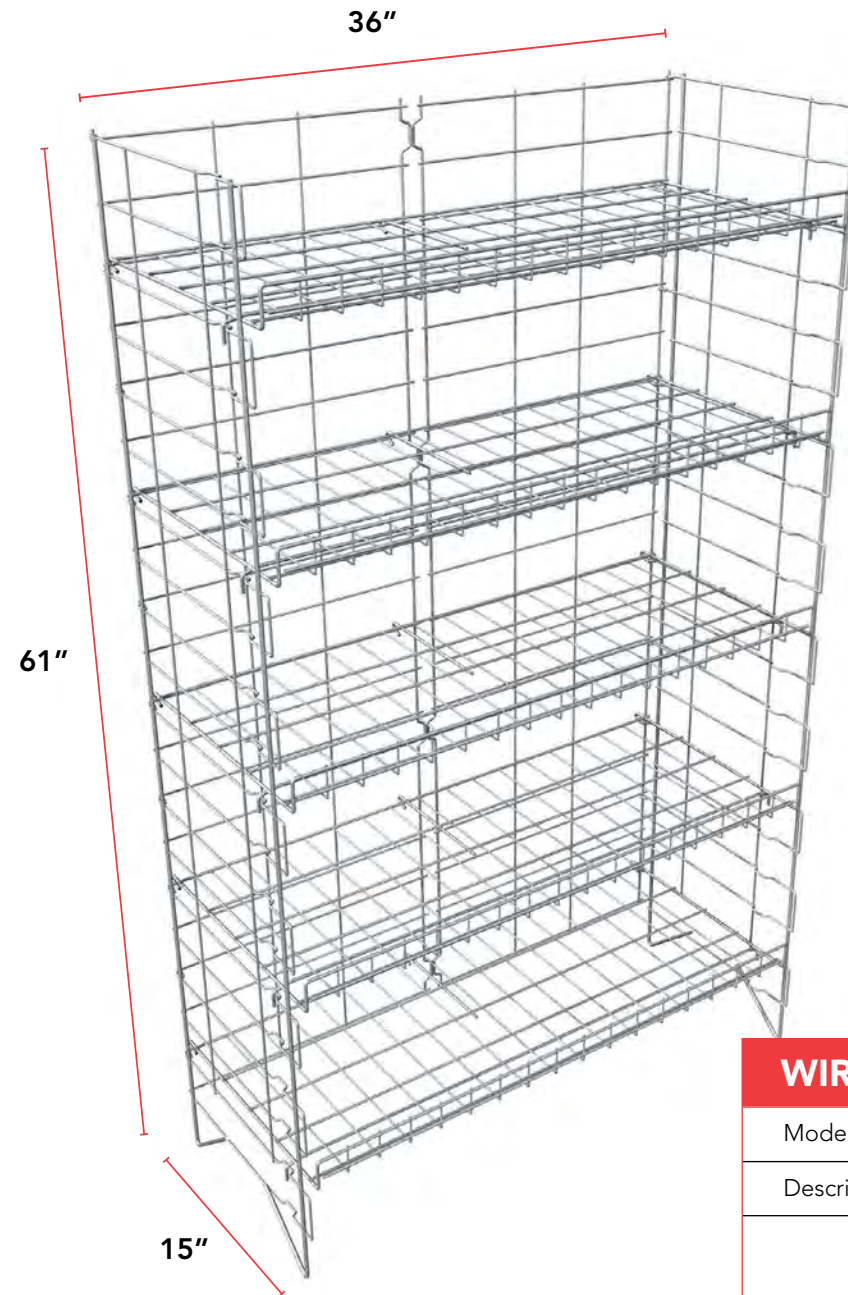
[INDEX](#)

WIRE 5 SHELF DISPLAY		BUY NOW	
Model #:	<b>R155-24</b>	Finish:	Chrome <input type="checkbox"/>
Description:	61"(H) x 24"(W) x 15"(D)	Item #:	16882
		Pack:	1
		Weight:	21 lbs
		Unit Price:	\$59.00
<b>UPS Shippable</b>			






[INDEX](#)

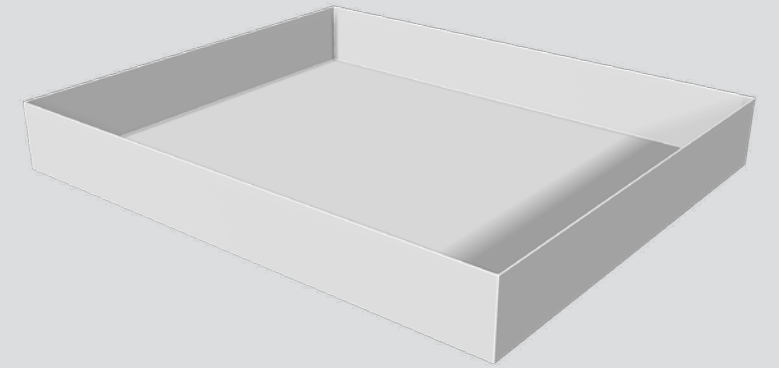
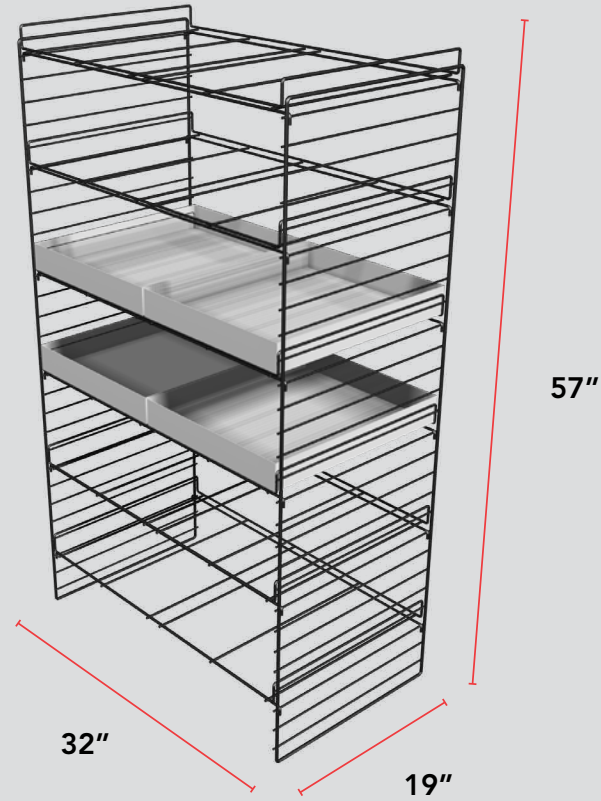
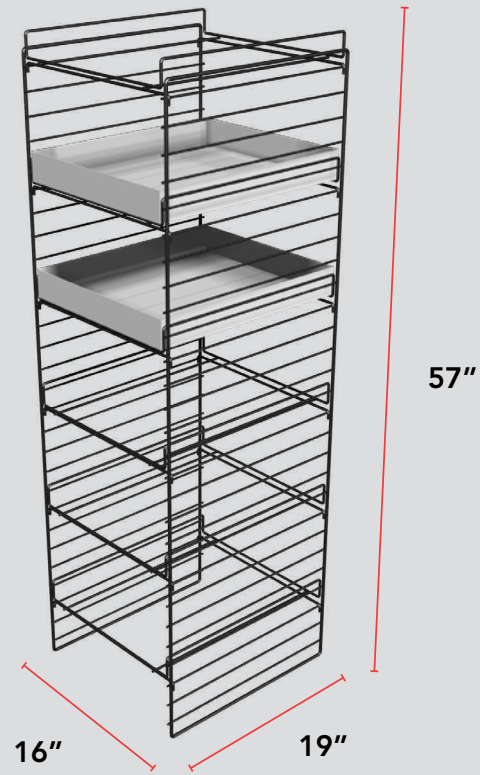


## WIRE 5 SHELF DISPLAY

[BUY NOW](#)

Model #:	<b>R155-36</b>	Finish:	<b>Chrome</b> <input type="checkbox"/>
Description:	61"(H) x 36"(W) x 15"(D)	Item #:	<b>16880</b>
		Pack:	<b>1</b>
		Weight:	<b>27 lbs</b>
		Unit Price:	<b>\$67.00</b>
<b>UPS Shippable</b>			





**BUY NOW**

### MASS MERCH QUICKLOADER

Model #:	<b>MM-1619-QL</b>
Description:	57"(H) x 16"(W) x 19"(D)
Finish:	<b>Black</b> ■
Item #:	<b>14404</b>
Pack:	<b>1 (2 per)</b>
Weight:	<b>56 lbs</b>
Unit Price:	<b>\$89.00</b>
<b>UPS Shippable</b>	

**BUY NOW**

### MASS MERCH QUICKLOADER

Model #:	<b>MM-3219-QL</b>
Description:	57"(H) x 32"(W) x 19"(D)
Finish:	<b>Black</b> ■
Item #:	<b>14437</b>
Pack:	<b>1</b>
Weight:	<b>38 lbs</b>
Unit Price:	<b>\$87.97</b>
<b>UPS Shippable</b>	

**INQUIRE HERE**

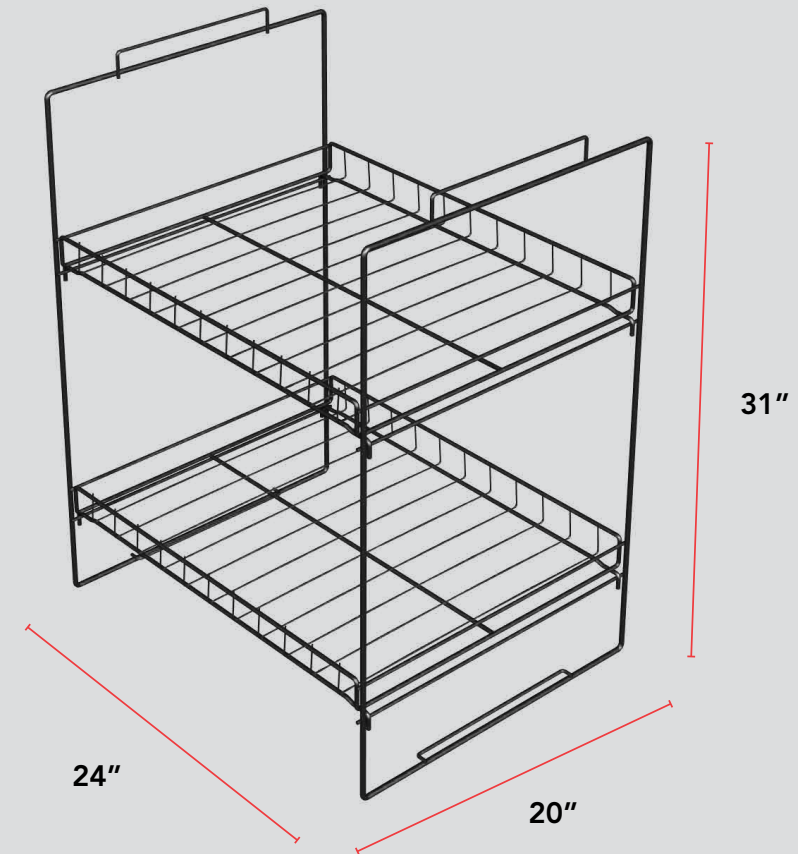
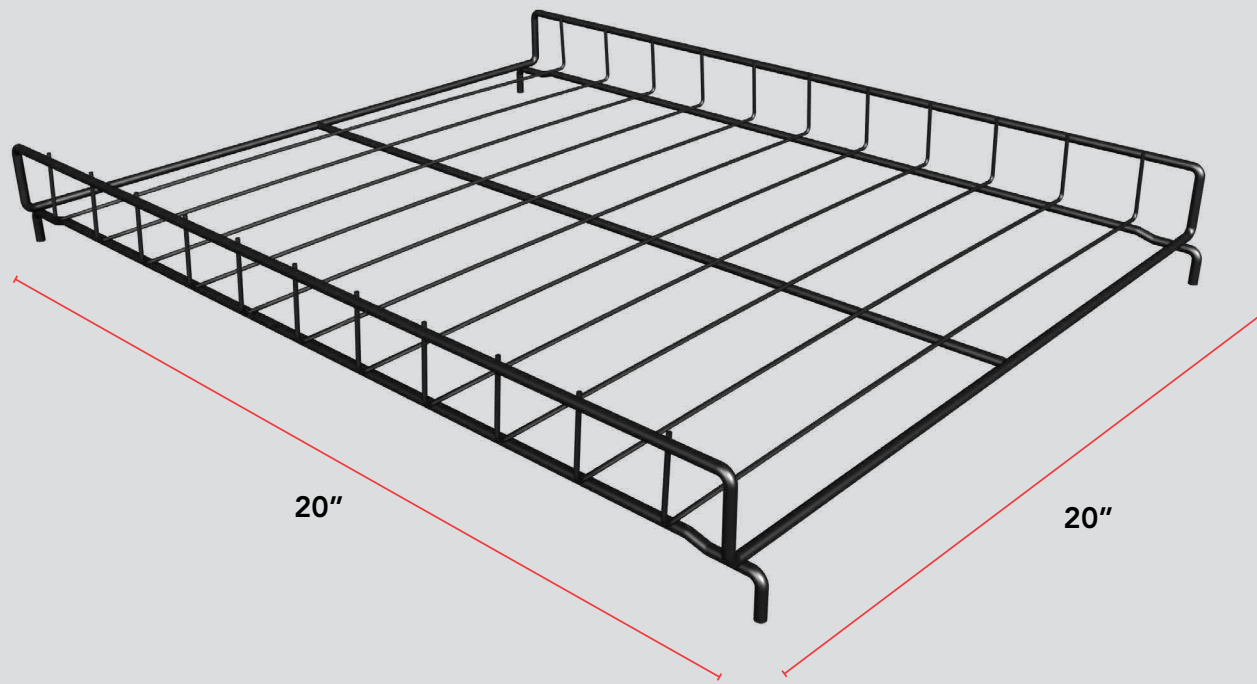
### QUICKLOADER TRAY

Model #:	<b>QL-1619-T</b>
Description:	Corrugated Tray, No Print
Finish:	<b>White</b> □
Item #:	<b>13990</b>
Pack:	<b>1 (24 per)</b>
Weight:	<b>13 lbs</b>
Unit Price:	<b>MTO</b>
<b>UPS Shippable</b>	





[INDEX](#)



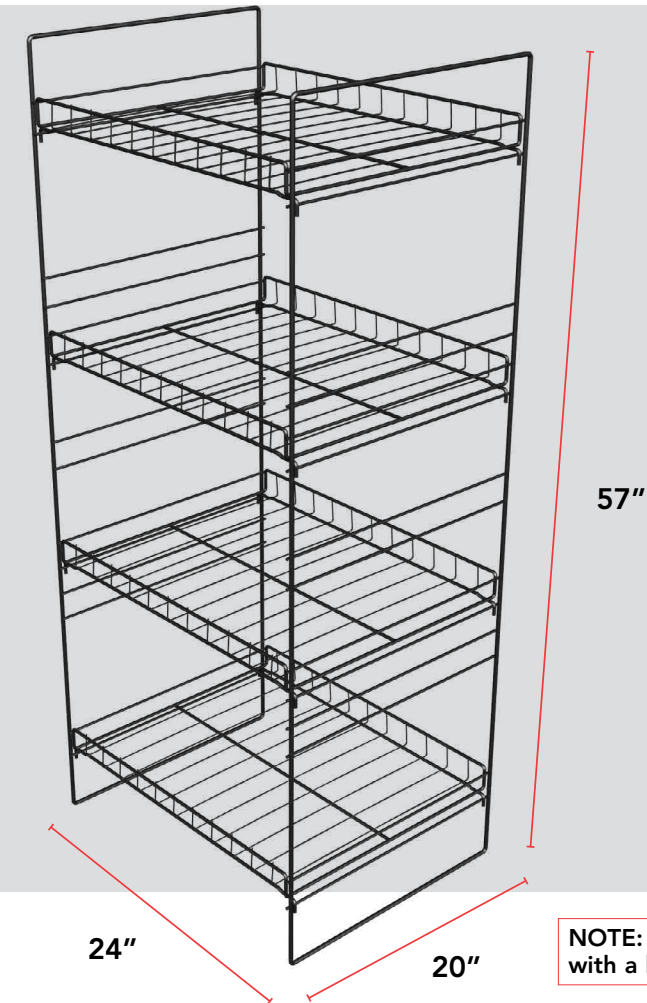
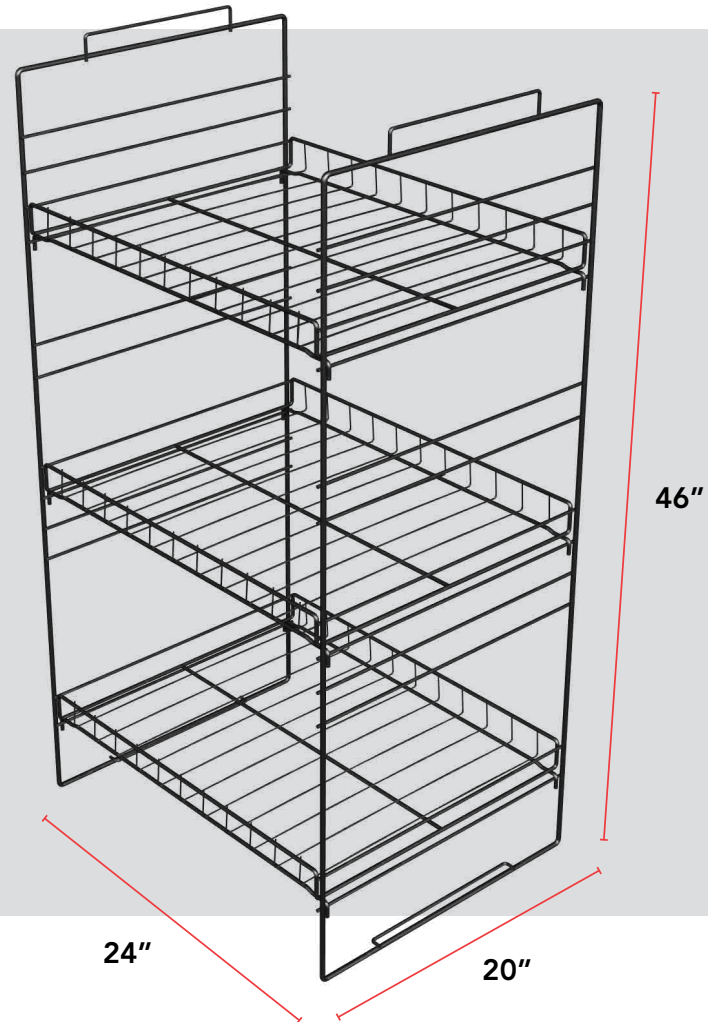
**NOTE:** Shelving not included with a leg pair.

MASS MERCH SHELF		BUY NOW	
Model #:	<b>MM-2420</b>	Finish:	<b>Black ■</b>
Description:	20"(W) x 20"(D) <b>SHELF</b>	Item #:	<b>14403</b>
Pack:	<b>1 (8 per)</b>	Weight:	<b>26 lbs</b>
Unit Price:	<b>\$51.49</b>	<b>UPS Shippable</b>	

31" MASS MERCH		INQUIRE HERE	
Model #:	<b>MM-3120</b>	Finish:	<b>Black ■</b>
Description:	31"(H) x 20"(D) <b>LEG</b>	Item #:	<b>14657</b>
Pack:	<b>1 (4 pair per)</b>	Weight:	<b>24 lbs</b>
Unit Price:	<b>MTO</b>	<b>UPS Shippable</b>	



[INDEX](#)



NOTE: Shelving not included with a leg pair.

## 46" MASS MERCH

[INQUIRE HERE](#)

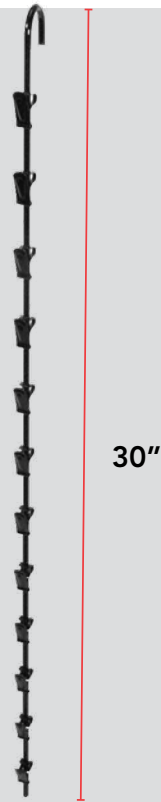
Model #:	<b>MM-4620</b>	Finish:	<b>Black ■</b>
Description:	46"(H) x 20"(D) <b>LEG</b>	Item #:	<b>14413</b>
Pack:	<b>1 (4 pair per)</b>	Weight:	<b>37 lbs</b>
Unit Price:	<b>MTO</b>	<b>UPS Shippable</b>	

## 57" MASS MERCH

[INQUIRE HERE](#)

Model #:	<b>MM-5720</b>	Finish:	<b>Black ■</b>
Description:	57"(H) x 20"(D) <b>LEG</b>	Item #:	<b>14402</b>
Pack:	<b>1 (4 pair per)</b>	Weight:	<b>45 lbs</b>
Unit Price:	<b>MTO</b>	<b>UPS Shippable</b>	

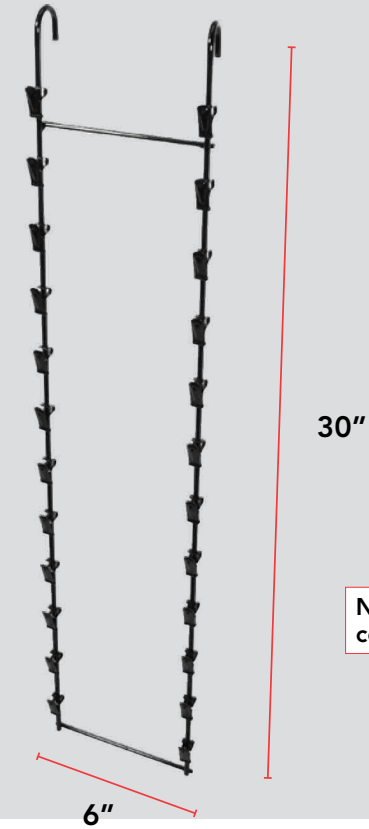




30"



30"



30"

6"

INDEX

NOTE: Clips on 2-3/8" centers (typical)

BUY NOW

## HANGING CLIP RACKS

Model #:	<b>CRH-12</b>
Description:	Single Strand, 12 clips
Finish:	<b>Black Gloss</b> ■
Item #:	<b>16886</b>
Pack:	<b>1 (12 per)</b>
Weight:	<b>7 lbs</b>
Unit Price:	<b>\$23.50</b>
<b>UPS Shippable</b>	

BUY NOW

## HANGING CLIP RACKS

Model #:	<b>CRHS-12</b>
Description:	Single Strand, 12 clips w/ ID Plate
Finish:	<b>Black Gloss</b> ■
Item #:	<b>16887</b>
Pack:	<b>1 (12 per)</b>
Weight:	<b>8 lbs</b>
Unit Price:	<b>\$28.40</b>
<b>UPS Shippable</b>	

BUY NOW

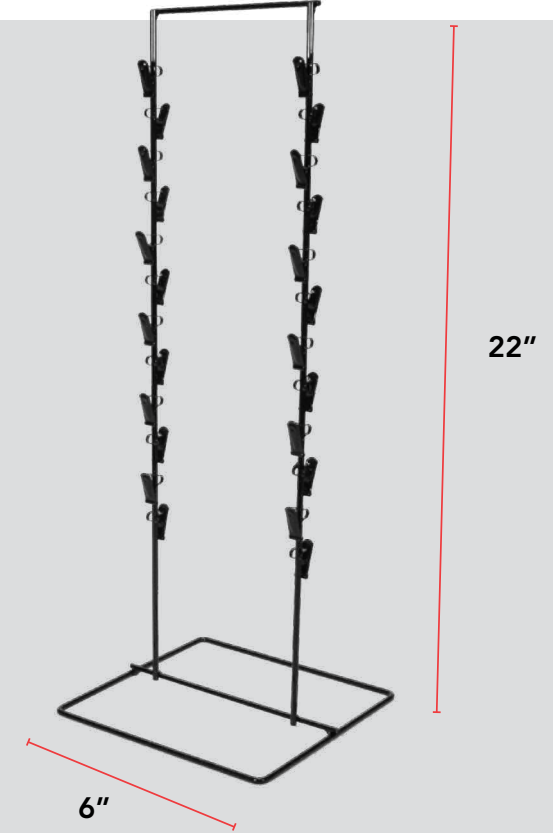
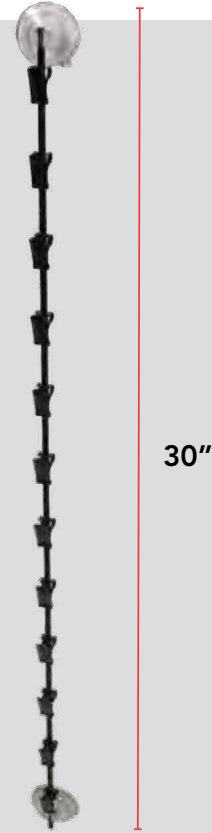
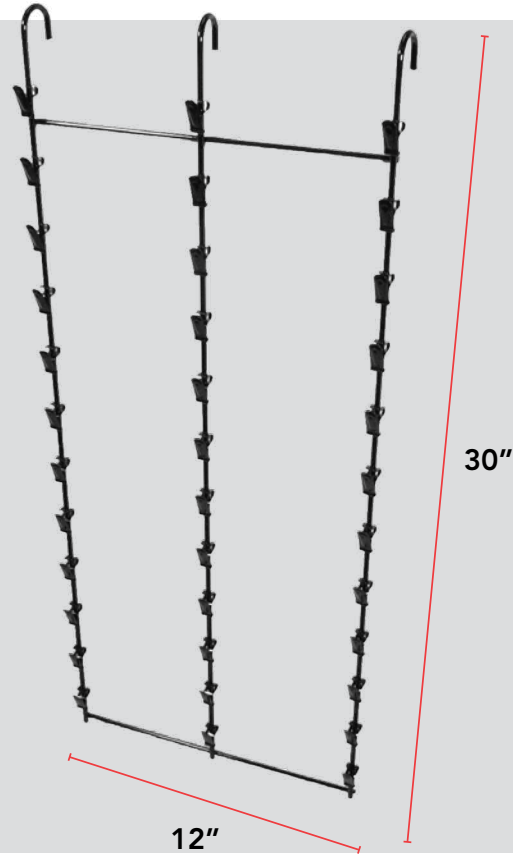
## HANGING CLIP RACKS

Model #:	<b>CRH-24</b>
Description:	Double Strand, 24 Clips
Finish:	<b>Black Gloss</b> ■
Item #:	<b>16888</b>
Pack:	<b>1 (12 per)</b>
Weight:	<b>13 lbs</b>
Unit Price:	<b>\$63.75</b>
<b>UPS Shippable</b>	





INDEX



**BUY NOW**

HANGING CLIP RACKS	
Model #:	<b>CRH-36</b>
Description:	Triple Strand, 36 clips
Finish:	<b>Black Gloss</b> ■
Item #:	<b>16889</b>
Pack:	<b>1 (12 per)</b>
Weight:	<b>19 lbs</b>
Unit Price:	<b>\$86.89</b>
<b>UPS Shippable</b>	

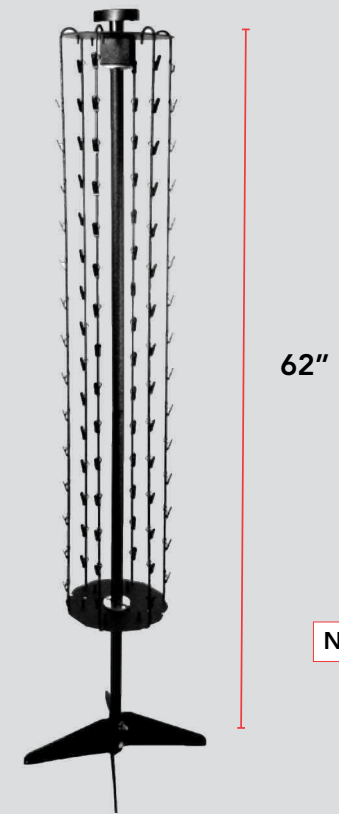
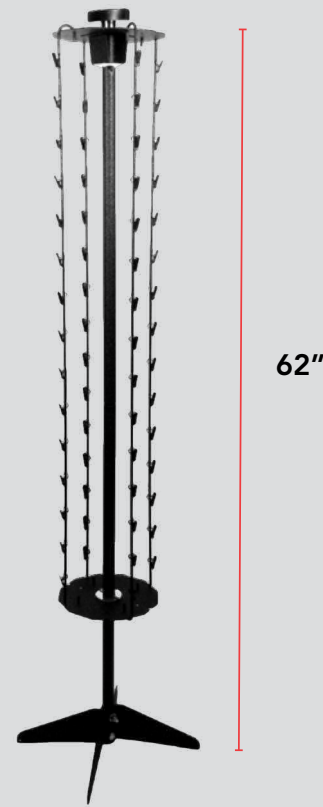
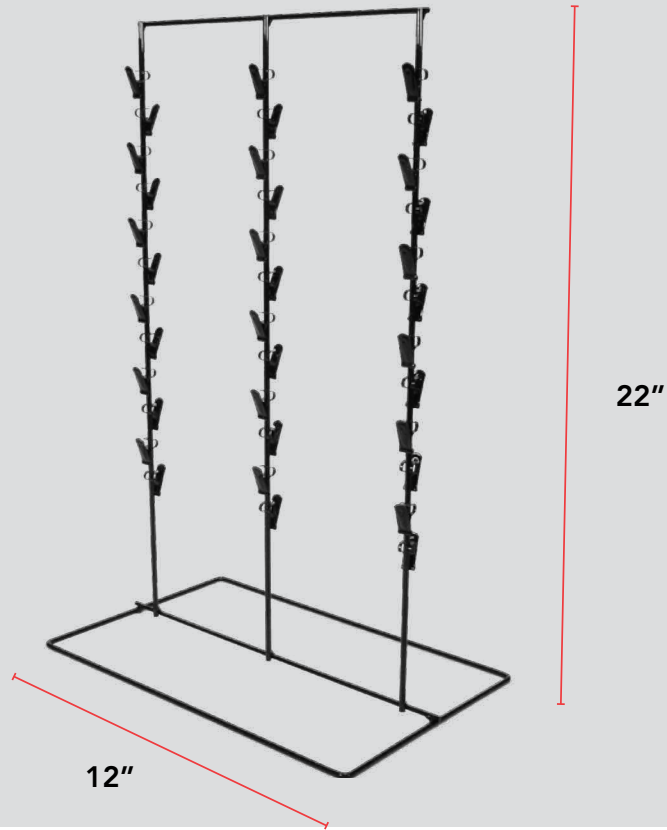
**BUY NOW**

SUCTION CUP CLIP	
Model #:	<b>CRSC-12</b>
Description:	Single Strand, 12 clips
Finish:	<b>Black Gloss</b> ■
Item #:	<b>16890</b>
Pack:	<b>1 (12 per)</b>
Weight:	<b>10 lbs</b>
Unit Price:	<b>\$32.72</b>
<b>UPS Shippable</b>	

**BUY NOW**

COUNTER CLIP RACK	
Model #:	<b>CRC-24</b>
Description:	Double Strand, 24 Clips
Finish:	<b>Black Gloss</b> ■
Item #:	<b>16891</b>
Pack:	<b>1 (12 per)</b>
Weight:	<b>17 lbs</b>
Unit Price:	<b>\$78.52</b>
<b>UPS Shippable</b>	





[INDEX](#)

NOTE: Clips on 3" centers

**BUY NOW**

COUNTER CLIP RACK	
Model #:	<b>CRC-36</b>
Description:	Triple Strand, 36 clips
Finish:	<b>Black Gloss</b> ■
Item #:	<b>16892</b>
Pack:	<b>1 (12 per)</b>
Weight:	<b>25 lbs</b>
Unit Price:	<b>\$112.51</b>
<b>UPS Shippable</b>	

**BUY NOW**

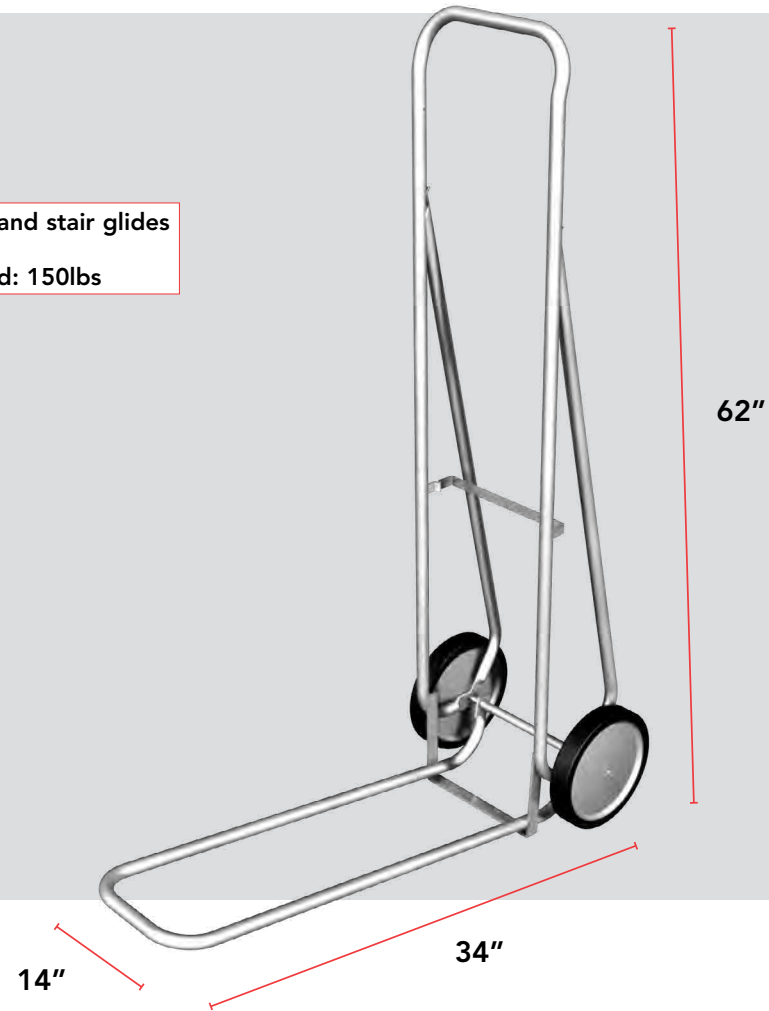
REVOLVING CLIP TREE	
Model #:	<b>RSR-460</b>
Description:	4 Strands, 60 Clips
Finish:	<b>Black Gloss</b> ■
Item #:	<b>16903</b>
Pack:	<b>1</b>
Weight:	<b>15 lbs</b>
Unit Price:	<b>\$59.00</b>
<b>UPS Shippable</b>	

**BUY NOW**

COUNTER CLIP RACK	
Model #:	<b>RSR-690</b>
Description:	6 Strands, 90 Clips
Finish:	<b>Black Gloss</b> ■
Item #:	<b>16904</b>
Pack:	<b>1</b>
Weight:	<b>16 lbs</b>
Unit Price:	<b>\$64.30</b>
<b>UPS Shippable</b>	



**NOTE: 10" Wheel and stair glides**  
**Rated for Max Load: 150lbs**



HAND TRUCK		BUY NOW	
Model #:	<b>HT-401</b>	Finish:	—
Description:	Heavy Duty Single Lip Hand Truck	Item #:	<b>13966</b>
Pack:	<b>1</b>	Weight:	<b>30 lbs</b>
Unit Price:	<b>\$95.93</b>	<b>UPS Shippable</b>	

HAND TRUCK REPLACEMENT WHEEL		BUY NOW	
Model #:	<b>401-W</b>	Finish:	<b>Black</b> ■
Description:	10" Replacement Wheel	Item #:	<b>13991</b>
Pack:	<b>1 (4 per)</b>	Weight:	<b>19 lbs</b>
Unit Price:	<b>MTO</b>	<b>UPS Shippable</b>	





DATE \_\_\_\_\_  
PHONE \_\_\_\_\_  
FAX \_\_\_\_\_  
P.O. # \_\_\_\_\_  
ORDERED BY \_\_\_\_\_

BILL TO \_\_\_\_\_  
\_\_\_\_\_  
\_\_\_\_\_  
\_\_\_\_\_

SHIP TO \_\_\_\_\_  
\_\_\_\_\_  
\_\_\_\_\_  
\_\_\_\_\_

 INDEX

QUANTITY IN UNITS / CASES (CIRCLE ONE)	MODEL NUMBER	COLOR	ITEM NUMBER OPTIONAL
_____	_____	_____	_____
_____	_____	_____	_____
_____	_____	_____	_____
_____	_____	_____	_____
_____	_____	_____	_____
_____	_____	_____	_____
_____	_____	_____	_____
_____	_____	_____	_____
_____	_____	_____	_____
_____	_____	_____	_____

SPECIAL INSTRUCTIONS \_\_\_\_\_  
\_\_\_\_\_  
\_\_\_\_\_



All quotations and sales, and the rights of the parties, are subject to and governed exclusively by the following terms and conditions and those contained on the face hereof. Quotations and sales of custom items are also subject to additional terms and conditions.

INDEX

**1. ORDERS.** Minimum order (per destination) - \$50.00. All quantities ordered to be Seller's standard pack.

**2. TERMS OF PAYMENT.** For Buyers that have not established credit with Seller, terms are cash-in-advance. For Buyers that have established credit with Seller terms are net cash within 30 days unless otherwise stated.

**3. TAXES.** Prices on the products specified herein are exclusive of all federal, state and local sales, use, privilege and excise taxes. Seller may add such taxes to the invoice as a separate charge to be paid, together with interest and penalty, by Buyer upon receipt of the invoice.

**4. QUOTATIONS AND PRICES.** Quoted prices are subject to change without notice. Orders calling for future shipment will be billed at the price in effect at the time order is received but is subject to adjustment based upon any tariffs imposed by the U.S. Government. Written quotations expire 5 days from the date issued and are subject to earlier termination by notice.

**5. CANCELLATION.** An order, once placed with and accepted by Seller, can be canceled only with Seller's written consent and upon terms that will indemnify Seller against loss.

**6. PALLET CHARGES.** All orders palletized for shipment will be subject to a pallet charge based upon the number of pallets required for the shipment.

**7. DROP SHIPMENT CHARGES.** Drop shipment charges are not imposed on stock items shipped in Seller's standard pack when at least \$50 of goods are shipped to each destination.

**8. DELIVERY.** All shipments are F.O.B. at Seller's place of shipment. Unless Buyer specifies the mode and hires carrier, Seller will hire the carrier and select the route of shipment. Seller will not be liable for damage or loss arising from such hiring and selection. Buyer must pay all freight and delivery charges, whether the carrier is hired by Seller or Buyer. If any of the goods called for on the bill of lading or other shipping document are short or damaged, it is Buyer's responsibility to pursue such claim and any other claim with the carrier. Seller will cooperate with Buyer in pursuing claims against carriers.

**9. DELAYS.** Seller assumes no responsibility for failure to ship on particular dates. Seller will not be liable for any delay in the performance of orders or contracts, or in the delivery or shipment of goods, or for damage suffered by Buyer when one of the

principal reasons for the delay is an event or condition beyond Seller's reasonable control. (Examples are weather, embargoes, strikes, labor difficulties or shortage of labor, fuel, power, materials or supplies.)

**10. WARRANTY, LIMITATIONS. SELLER MAKES NO EXPRESS OR IMPLIED REPRESENTATIONS OR WARRANTIES. THIS DISCLAIMER INCLUDES, WITHOUT LIMITATION, WARRANTIES AS TO QUALITY, MERCHANTABILITY, FITNESS FOR A PARTICULAR PURPOSE, AND CORRESPONDENCE WITH DESCRIPTION OR SAMPLE.** Claims against Seller for defective merchandise, shortage or any other cause will be deemed waived and released by Buyer, unless made in writing to Seller within 10 days after receipt of the merchandise. SELLER WILL NOT BE LIABLE FOR CONSEQUENTIAL OR OTHER DAMAGE OR LOSS ARISING FROM THE POSSESSION OR USE OF SELLER'S PRODUCTS.

**11. RETURNED GOODS.** Buyer cannot return goods to Seller without Seller's prior written authorization and instructions, which must be requested in writing by Buyer within 14 days after receipt of the goods. All authorized returned goods are subject to Seller's inspection. Credit for undamaged, authorized returned goods will be issued at the price paid, less the return freight charges plus 15% for handling.

**12. SELLER'S RIGHTS AND REMEDIES.** Seller, for credit reasons or due to Buyer's default, can withhold shipments, recall goods in transit, retake goods, and repossess goods that are stored with Seller for Buyer's account, without the necessity of any legal proceeding. Goods recalled, retaken or repossessed will be the absolute property of Seller. Buyer will be given credit for those goods. This does not limit Seller's rights and remedies under applicable law. If Buyer defaults, Buyer will be liable to Seller for all such fees and expenses incurred by Seller, including attorneys' fees and expenses.

**13. INDEMNIFICATION.** Buyer will indemnify, defend and hold Seller, its directors, officers, employees, agents, representatives and insurers harmless from all damage and/or loss claimed to result from improper assembly of Seller's product, use of Seller's product for purposes other than for which it was designed and/or use of Seller's product in violation of any applicable law or regulation.

**14. CONTROLLING PROVISIONS.** These terms and conditions supersede the provisions of any confirmation order or other writing or oral communication that Buyer may give or receive. The parties will be governed exclusively by these terms and conditions which will be interpreted and enforced under the laws of the State of Tennessee. These terms and conditions cannot be changed or modified without the prior written consent of Seller.

**15. CAPTIONS.** Captions are provided for convenience of reference only and will not limit or otherwise affect the interpretation of these terms and conditions.

All custom and non-stock order quotations and sales are subject to the following custom order terms and conditions, Seller's general terms and conditions and those on the face of Seller's quotations and invoices:

[INDEX](#)

## 1. TOOLING CHARGES.

Where special tooling is required for the production of a specially designed or non-stock unit, tooling costs will be quoted and invoiced as a separate item unless agreed to otherwise by both parties prior to fabrication of tooling. Tooling cost is a one-time charge, and no additional charges will be made except where modifications are required by Buyer. All such special items will be the sole property of Seller and will remain in Seller's possession. If 12 months elapse after the latest receipt of an order from Buyer requiring the use of the special items, Seller may dispose of the items without notice or accounting to Buyer. Buyer must pay all federal, state and local sales, use, privilege and excise taxes on special tooling.

## 2. COMPLIANCE.

Orders will be considered complete upon shipment of a reasonable quantity over or under the amount specified in the order when it is impractical to produce the exact quantity ordered. Normal tolerances in specifications will be acceptable.

## 3. INVOICING AND WAREHOUSING.

Custom and non-stock goods will be invoiced when produced, whether the goods are shipped or warehoused. If partial shipments are made prior to completion of the total order, the quantities shipped will be invoiced at the time of shipment. Seller will warehouse goods invoiced but unshipped for a period of 60 days from the date of invoice without charge. Warehouse charges will begin to accrue 61 days after completion of production of the order at the rate of three percent (3%) of the invoice value of the warehoused goods per 30-day period. Seller will not be obligated to warehouse goods for more than 120 days. Warehouse charges will be invoiced on the first day of each 30-day period and will be deemed fully earned when invoiced. Buyer must pay all federal, state and local sales, use, privilege and excise taxes on warehouse charges.

## 4. DROP SHIPMENT CHARGES.

Drop shipment charges are not imposed on custom or non-stock items when at least 20 cases are shipped to each destination.

## 5. INFRINGEMENT.

If goods are manufactured or sold by Seller to Buyer's specifications or requirements, Buyer will indemnify Seller and its directors, officers, employees, agents and representatives against all suits at law or in equity and from all damages, claims and demands for alleged Infringement of any United States or foreign patent or trademark and defend actions brought for alleged infringement related to the manufacture or sale of the goods.





A percentage of purchases rebate will be made available at the end of the Spectas fiscal year (Spectas fiscal year ends last day in October; new year begins following first day of November) based on certain Spectas fiscal year dollar volumes of purchases and provided the following requirements are fulfilled:

1. Purchases will be defined as Spectas catalog products invoiced within the Spectas fiscal year and per Spectas accounting records.
2. No rebate will be made on freight charges or taxes.
3. No rebate will be made on custom displays unless otherwise specified in writing from Spectas.
4. Rebate calculations will be made on gross purchase volume dollars, less returns and allowances, unless otherwise specified.
5. Terms are net cash within 30 days unless otherwise stated. Any cash discounts for prompt payment according to Spectas terms will not be considered in calculating rebate.
6. All shipments are F.O.B. Spectas dock, Chattanooga, Tennessee.
7. Payment of volume rebate will be made by Credit Memorandum or Check(s) approximately February 15 of the year following the close of Spectas fiscal year.
8. All regular catalog (stock) items and/or specially made equipment will be included in computation of total purchase volume and purchase volume rebate unless otherwise agreed to by both parties in writing.
9. Any past due invoices or unearned discounts pending from Spectas prior fiscal year will be deducted from volume rebate at time of issuance. If for any reason there is inventory at Spectas of custom made equipment, which has been made for customer but not invoiced to customer, the value at invoice price of this custom made inventory will be deducted from the volume rebate.
10. Volume rebate is explained in the following chart:

If total purchases during Spectas fiscal year are below \$20,000 or if total purchased, after excluded items are deducted, is below \$20,000, there will be no rebate. The volume rebate calculated from the above chart is cumulative; i.e., for the first \$80,000 of sales, the rebate would be \$1,200 plus 3% of amount over \$80,000 but less than \$250,000. See the following examples:

PURCHASES SMP FISCAL YEAR		MAX DOLLARS FOR COMPUTATION	% OF REBATE	MAX REBATE
UNDER	OVER			
\$80,000	\$20,000	\$60,000	2.0%	\$1,200
\$250,000	—	\$170,000	3.0%	\$5,100
\$500,000	—	\$250,000	3.5%	\$8,750
\$750,000	\$750,000	\$250,000	4.0%	\$10,000
\$1,000,000	\$1,000,000	\$250,000	4.5%	\$11,250

	ABC CO.	XYZ CO.	
TOTAL PURCHASES SPECTAS FISCAL YEAR	\$56,000	\$245,000	
RETURNS AND ALLOWANCES	NONE	(\$5,000)	
EXCLUDED ITEMS	\$56,000	\$240,000	
MINIMUM SALES	NONE	NONE	
CALCULATIONS	\$56,000	\$240,000	
	(\$20,000)	(\$20,000)	
	\$36,000	\$220,000	
AMOUNT OF REBATE	x 2.0% = \$720	\$60,000 \$160,000	x 2.0% = \$1,200 x 3.0% = \$4,800 <hr/> \$6,000



INDEX





spectas

A Division of SMP Industries, Inc.  
PO BOX 22067, Chattanooga, TN 37422

800.251.6308 • [sales@spectas.global](mailto:sales@spectas.global) • [www.spectas.global/store](http://www.spectas.global/store)